


TAYLOR MADE BUILDINGS

GENERIC RESIDENTIAL STEEL FRAMING SPECIFICATIONS

FOR NON CYCLONIC AREAS N2, N3 & N4 WIND

CLASSIFICATION AND SNOW LOAD

Structural Design Certification By:



ACN 088 342 645
1/36 Darling Street, Dubbo NSW 2830

Chris Bassingthwaight
BE MIEAust CPEng



Date: 21.11.2023
Reference No: 19920-S01_6

LOADING NOTES

- DEAD LOADS:
 - ROOF: SELF WEIGHT OF THE STEEL TRUSSES, STEEL JOISTS (MAX 0.3kPa)
 - FLOOR: SELF WEIGHT STEEL JOISTS AND FLOORING (MAX. 0.5 kPa)
 - WALLS: SELF WEIGHT OF WALLS (MAX 0.4kPa)
- LIVE LOADS TO AS1170.1-2002
 - ROOF MAINTENANCE LOAD OF 1.8/A + 0.12kPa (MIN. 0.25kPa)
 - RESIDENTIAL FLOORS (1.5kPa)
- WIND LOADS TO AS4055-2012:
 - WIND CLASSIFICATION = N2, N3 & N4
 - ROOF $C_{p,t} = 1.1$, WALL $C_{p,t} = 1.0$
- SNOW LOADS TO AS1170.3-2003
 - GROUND SNOW LOAD OF 1.4 kPa (ORANGE AREA & SIMILAR)
 - N4 FRAME SUITABLE FOR GROUND SNOW LOAD OF 1.52kPa (LITHGOW)
- EARTHQUAKE LOADS TO AS1170.4-2007
 - STRUCTURAL IMPORTANCE LEVEL= 2, MAXIMUM HAZARD FACTOR, $Z=0.08$, ANNUAL PROBABILITY OF EXCEEDANCE, $P=\frac{1}{500}$, PROBABILITY FACTOR, $k_p=1.0$, SOIL CLASS = Ae TO Ee, EARTHQUAKE DESIGN CATEGORY. EDC=II.
 - HIGHER IMPORTANCE LEVELS AND HAZARD FACTORS ARE SUBJECT TO DESIGN CONFIRMATION.

MANUFACTURING METHOD

- ALL PREFABRICATED MEMBERS ARE CLAMPED AND THEN JIG WELDED USING A M.I.G. WELDER UTILISING ARGON GAS FLUX.
- WELDS ARE PAINTED WITH WATTYL "GALVIT EP100" OR SIMILAR TYPE PAINT WITHIN 20 MINUTES OF WELDING.
- ON SITE FABRICATION IS BY TEK SCREWS OR BOLTS AND SPOT WELDS, AS NECESSARY.

REFERENCED DESIGN STANDARDS

- STEEL FRAMING DESIGN AND MANUFACTURE TO BE PREPARED IN ACCORDANCE WITH THE FOLLOWING STANDARDS:
- AS1170.1-2002 DEAD AND LIVE LOADS
 - AS4055-2021 WIND LOADS FOR HOUSING
 - AS1397-2021 CONTINUOUS HOT-DIP METALLIC COATED STEEL SHEET AND STRIP - COATINGS OF ZINC AND ZINC ALLOYED WITH ALUMINIUM AND MAGNESIUM
 - AS4600-2018 COLD FORMED STEEL STRUCTURES
 - AS3623-1993 DOMESTIC STEEL FRAMING
 - AS3566-2002 SCREWS - SELF DRILLING
 - BHP/ONESTEEL/BLUESCOPE STEEL BUILDING PRODUCTS - STEEL WALL FRAMING IN NON-CYCLONIC AREAS MANUALS

MANUFACTURED HOMES CERTIFICATION

THE DESIGN REPRESENTED IN THESE DRAWINGS IS STRUCTURALLY SOUND IN ACCORDANCE WITH RELEVANT STRUCTURAL ENGINEERING DESIGN PROVISIONS OF CLAUSE 142 & 143 OF THE LOCAL GOVERNMENT (MANUFACTURED HOME ESTATES, CARAVAN PARKS, CAMPING GROUNDS AND MOVEABLE DWELLINGS) REGULATION 2021

TRANSPORTATION CERTIFICATION

THE STRUCTURE REPRESENTED IN THESE DRAWINGS IS CONSIDERED STRUCTURALLY ADEQUATE DURING TRANSPORTATION BASED ON THE FOLLOWING PARAMETERS AND PROVISIONS-

- THE BUILDING IS FULLY ENCLOSED DURING TRANSPORTATION.
- THE BUILDING IS FULLY BRACED AND ANCHORED DOWN TO THE VEHICLE. DESIGN OF ANCHORAGE POINTS IS BY OTHERS AND SHALL BE COMPLIANT WITH RELEVANT ROAD AUTHORITIES AND AUSTRALIAN STANDARDS.
- ANCHORAGES BETWEEN THE GIRDER TRUSSES AND THE VEHICLE SHALL BE IN PIER LOCATIONS AS DESCRIBED ON THE DRAWINGS.
- THE MAXIMUM TRANSPORTABLE SPEED SHALL NOT EXCEED 100km/hr

SCHEDULE OF DRAWINGS

19920-S01	COVER PAGE AND SPECIFICATIONS	19920-S10	CARPORT AND GIRDER TRUSS DETAILS AND SPECIFICATIONS
19920-S02	FOOTINGS AND TIE DOWN DETAILS	19920-S11	VERANDAH FLOOR PLAN AND DETAILS
19920-S03	PIER AND STEELWORK FLOOR PLAN	19920-S12	VERANDAH ROOF PLAN AND DETAILS
19920-S04	PIER BRACING PLAN AND DETAILS	19920-S13	OPEN CARPORT PLAN AND DETAILS
19920-S05	STUD WALL DETAILS STUD WALL SPECIFICATION	19920-S14	ENCLOSED CARPORT PLAN AND DETAILS
19920-S06	FRAME AND TRUSS MANUFACTURING DETAILS	19920-S15	HINGED TRUSS DETAILS
19920-S07	SITE FIXING DETAILS STUD WALL FRAME TIE DOWN DETAILS	19920-S16	STEP OUT FLOOR FRAMING STEELWORK PLAN
19920-S08	ROOF ARRANGEMENT PLANS ROOF FRAMING PLANS	19920-S17	CARPORT - RAFT SLAB PLAN AND NOTES
19920-S09	HALF TRUSS DETAILS AND SPECIFICATION	19920-S18	CARPORT - RAFT SLAB DETAILS
		19920-S19	CARPORT - WAFFLE SLAB PLAN AND NOTES
		19920-S20	CARPORT - WAFFLE SLAB DETAILS

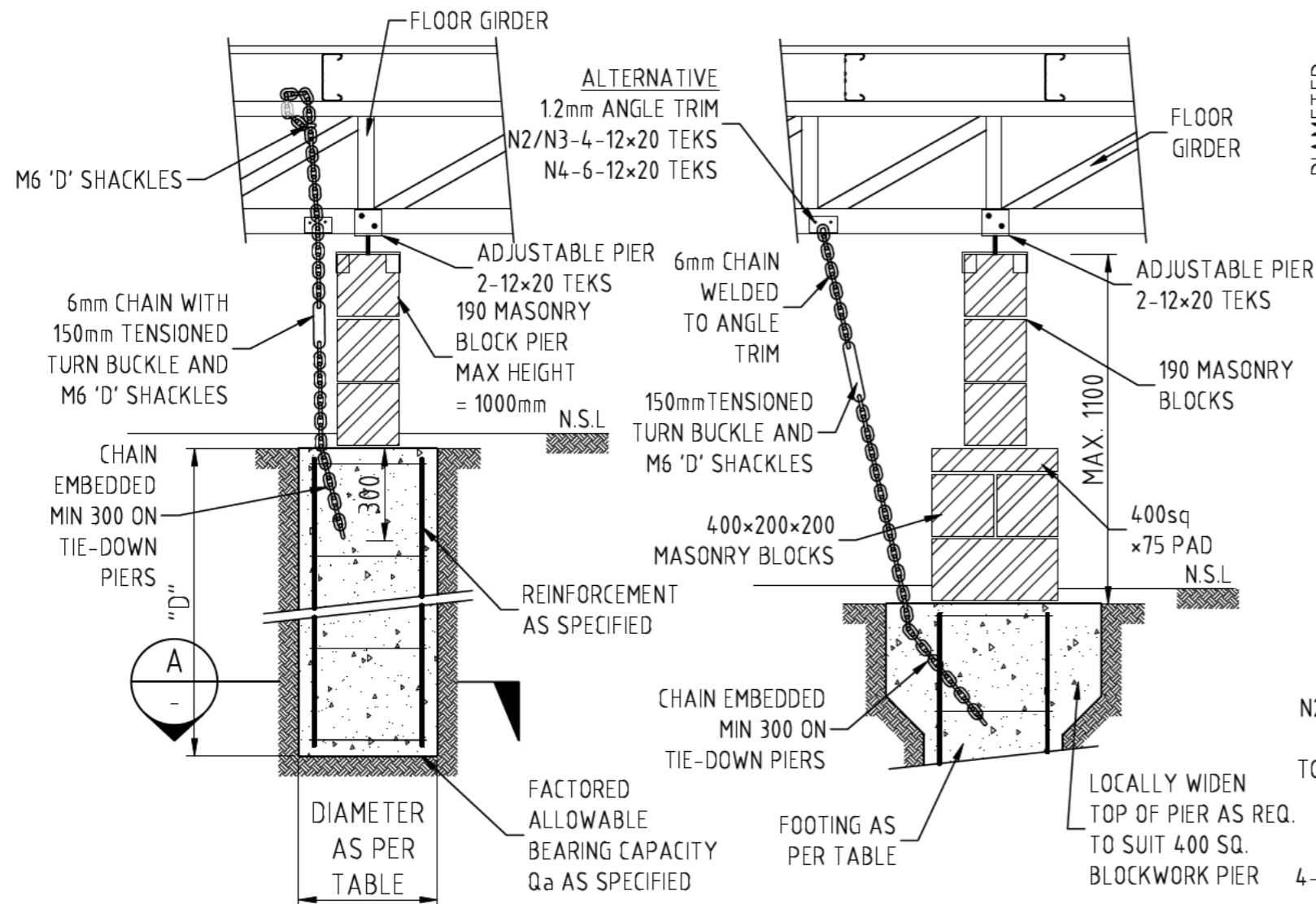
Project:
GENERIC RESIDENTIAL STEEL FRAMING SPECIFICATIONS
FOR NON CYCLONIC AREAS N2, N3 & N4 WIND
CLASSIFICATION AND 1.4kPa GROUND SNOW LOAD

Drawing Title:
COVER PAGE
AND SPECIFICATIONS

Client Name:
Site Address:
Reference:

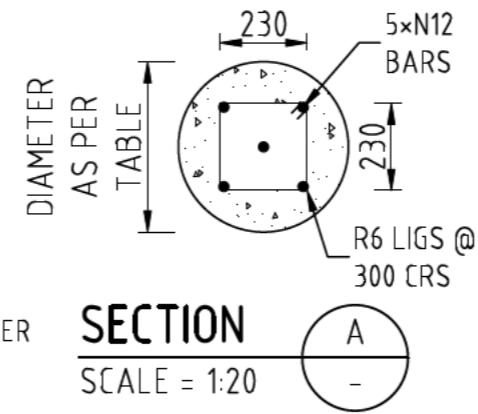
TAYLOR MADE BUILDINGS

Design	Drawn	Rev	Date	Amendment	Drawing Number	Revision
ML	ML	5	25/07/2023	REISSUED TO COMPLY WITH BCA 2022	19920-S01	6
Drawing Sheet						
A3 - Scales as noted						



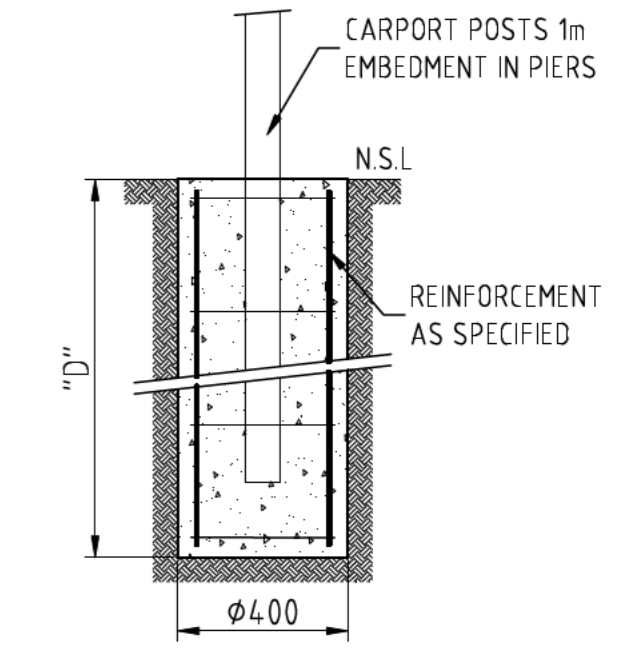
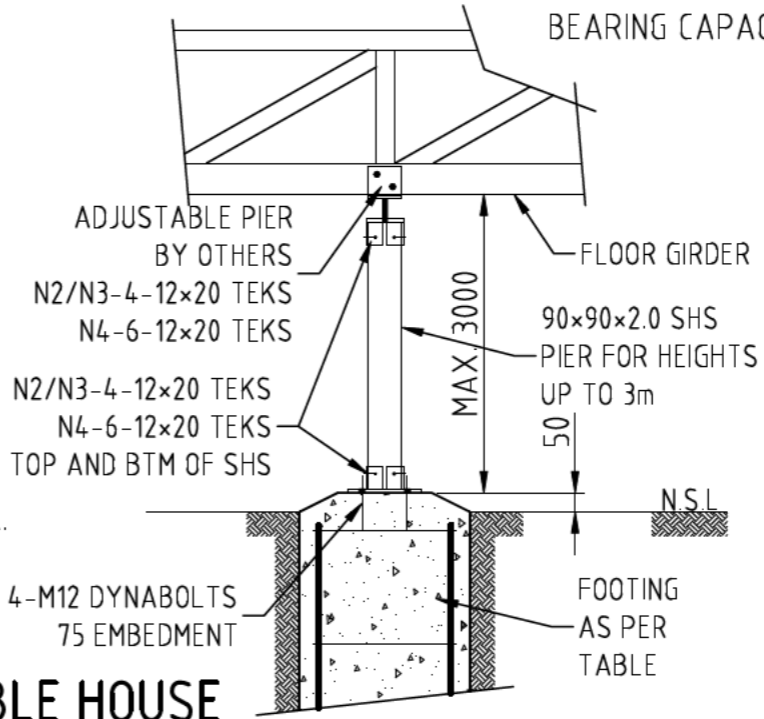
**TRANSPORTABLE HOUSE
PIER FOOTING DETAILS**

SCALE = 1:20



SECTION A

SCALE = 1:20



CARPORT POST FOOTINGS

SCALE = 1:20

- BORED PIER NOTES**
1. CONCRETE EXPOSURE CLASSIFICATION = A1 TO AS3600-2018
 2. CONCRETE IS TO BE GRADE N20 (20 MPa STRENGTH AT 28 DAYS AGE)
 3. PIER DEPTH & WIDTH AS PER RELATIVE TABLE
 4. PIER REINFORCEMENT AS SPECIFIED IN RELEVANT TABLE WITH 50mm COVER
 5. SERVICES TO BE PLACED IN A 300mm WIDE x 450mm DEEP TRENCH A MINIMUM OF 600mm FROM EDGE OF BUILDING TO AVOID UNDERMINING OF FOOTINGS.
 6. ASSUMED SOIL COHESION = 30kPa, BEARING CAPACITY = 100kPa, CONFIRM ON SITE

HOUSE - PIER FOOTINGS DETAILS				
SITE CLASS	DEPTH "D" mm		DIAMETER mm	REINFORCEMENT
	N2/N3	N4		
M	500	1000	450	NIL, MASS CONCRETE
M-D	800	1000	450	NIL, MASS CONCRETE
H1	1000	1000	450	NIL, MASS CONCRETE
H1-D	1500	1500	400	5-N12 BARS WITH R6 LIGS AT 300 CRS
H2	1800	1800	400	5-N12 BARS WITH R6 LIGS AT 300 CRS
H2-D	2500	2500	400	5-N12 BARS WITH R6 LIGS AT 300 CRS
E/E-D	3600	3600	400	5-N12 BARS WITH R6 LIGS AT 300 CRS

CARPORT - PIER FOOTINGS DETAILS				
SITE CLASS	DEPTH "D" mm		REINFORCEMENT	
	N2/N3	N4	N2/N3	N4
M	1200	1500	NIL, MASS CONCRETE	4-N12 BARS WITH R6 LIGS AT 300 CRS
M-D	1200	1500	NIL, MASS CONCRETE	4-N12 BARS WITH R6 LIGS AT 300 CRS
H1	1200	1500	NIL, MASS CONCRETE	4-N12 BARS WITH R6 LIGS AT 300 CRS
H1-D	1500		4-N12 BARS WITH R6 LIGS AT 300 CRS	
H2	1800		4-N12 BARS WITH R6 LIGS AT 300 CRS	
H2-D	2500		4-N12 BARS WITH R6 LIGS AT 300 CRS	
E/E-D	3600		4-N12 BARS WITH R6 LIGS AT 300 CRS	

Structural Design Certification By:

barnson
DESIGN . PLAN . MANAGE
ACN 088 342 645
1/36 Darling Street, Dubbo NSW 2830

Chris Bassingthwaight
BE MIEAust CPEng

Date: 25.07.2023
Reference No: 19920-S02_3

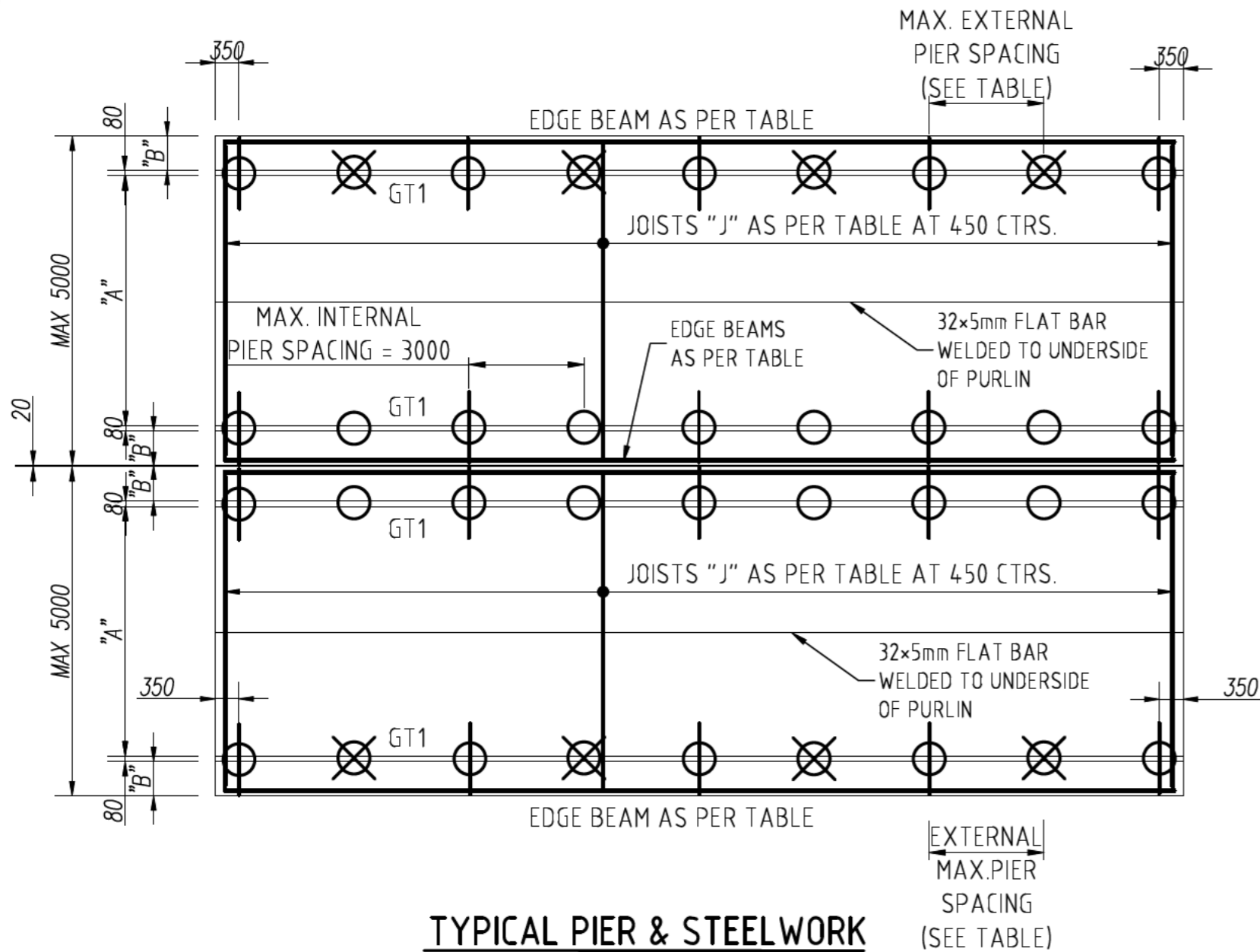
Project:
GENERIC STEEL FRAMING SPECIFICATIONS
FOR NON CYCLONIC AREAS N2, N3 & N4 WIND
CLASSIFICATION AND 1.4kPa GROUND SNOW LOAD

Drawing Title:
FOOTINGS AND TIE DOWN DETAILS

Client Name:
Site Address:
Reference:

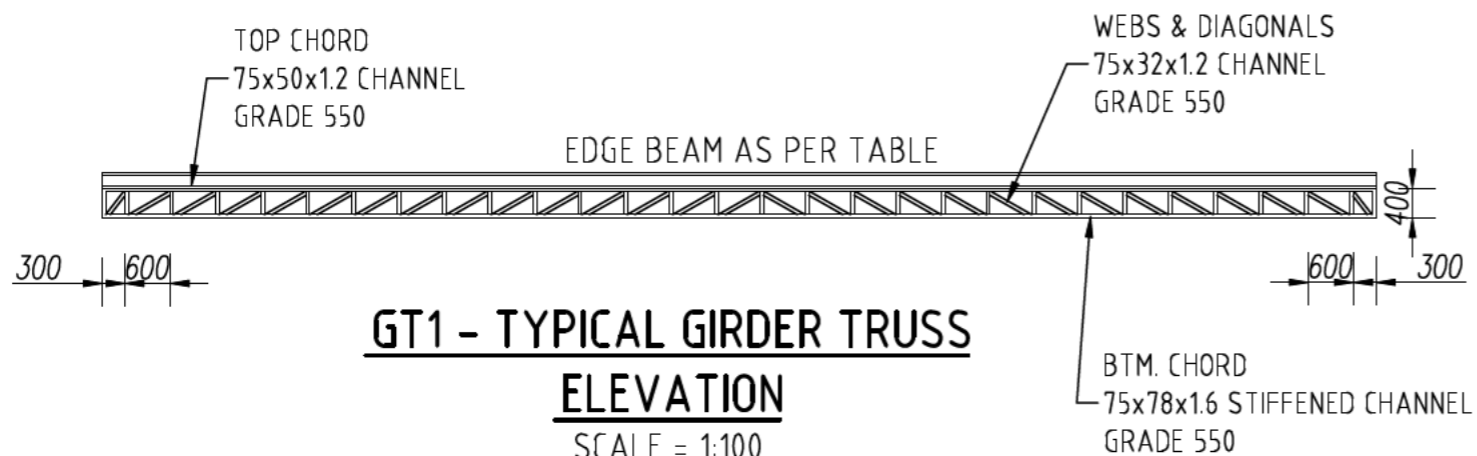
TAYLOR MADE BUILDINGS

Design ML Drawn ML Rev Date 3 25/07/2023 Amendment REVISED TO SUIT LATEST STANDARD Drawing Number 19920-S02 Revision 3



TYPICAL PIER & STEELWORK FLOOR PLAN

SCALE = 1:100



GT1 - TYPICAL GIRDER TRUSS ELEVATION

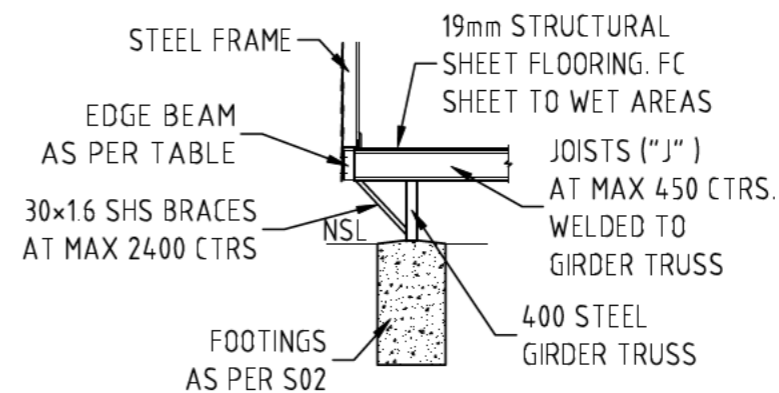
SCALE = 1:100

LEGEND

- N2, N3 & N4 GIRDER TRUSS PIER SUPPORT (REFER TO DETAIL)
- N2, N3 & N4 GIRDER TRUSS TIE-DOWN CHAINS (REFER TO DETAIL)
- N4 ADDITIONAL GIRDER TRUSS TIE-DOWN CHAINS FOR MAIN HOUSE WITH VERANDAH
- GT1 - 400 O/A GIRDER TRUSS - REFER TO TYPICAL ELEVATION
 - TOP CHORDS = 75x50x1.2 CHANNEL GRADE 550
 - BTM. CHORDS = 75x78x1.6 STIFFENED CHANNEL GRADE 550
 - WEBS & DIAGONALS = 75x32x1.2 CHANNEL GRADE 550
 - WELD WEBS TO CHORD WITH VERANDAH = 50mm WITHOUT VERANDAH = 25mm 3 FW EACH FLANGE

JOIST SIZE			
SPAN "A" (m)	JOIST "J"	EDGE BEAM	OVERHANG "B" (mm)
<3.4	C15019	C15015	400
<3.65	C15024	C15015	600

MAX. EXTERNAL PIER SPACING (N2/N3/N4/SNOW)
WITHOUT VERANDAH = 3000 CTRS
WITH 2500 VERANDAH = 2400 CTRS
WITH 3500 VERANDAH = 1800 CTRS



TYPICAL SUPPORT PIER DETAIL

SCALE = 1:50

Structural Design Certification By:

ACN 088 342 645
1/36 Darling Street, Dubbo NSW 2830

Chris Bassingthwaite
BE MIEAust CPEng

Date: 25/07/2023
Reference No: 19920-S03_2

Project:
GENERIC STEEL FRAMING SPECIFICATIONS
FOR NON CYCLONIC AREAS N2, N3 & N4 WIND
CLASSIFICATION AND 1.4kPa GROUND SNOW LOAD

Drawing Title:
FLOOR FRAMING STEELWORK
FLOOR PLAN

Client Name:

Site Address:

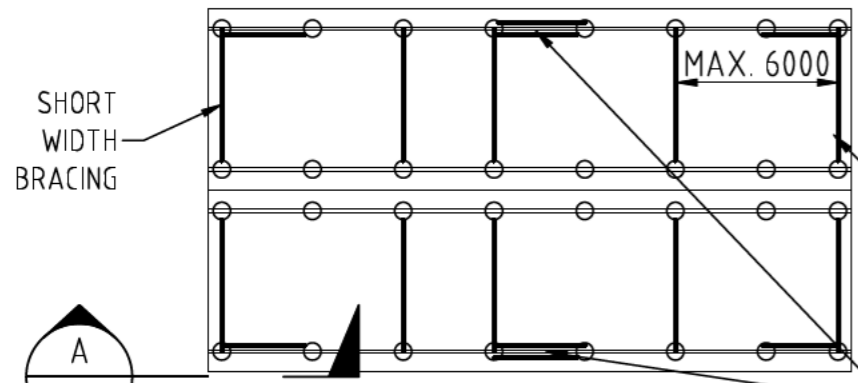
Reference:

TAYLOR MADE BUILDINGS

Design	Drawn	Rev	Date	Amendment
ML	ML	2	25/07/2023	ISSUED FOR CONSTRUCTION
		1	18/10/2016	REVISED TO SUIT N4 WIND CLASS
		0	18/12/2013	ISSUED FOR CONSTRUCTION
		A	08/11/2013	PRELIMINARY ISSUE

Drawing Number
19920-S03

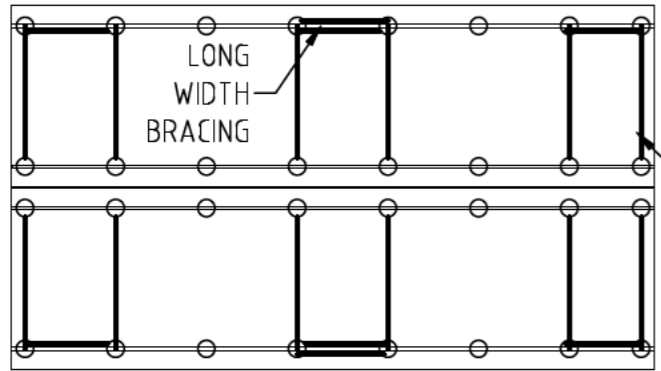
Revision
2



N1 SUB-FLOOR BRACING PLAN - SCALE 1:200

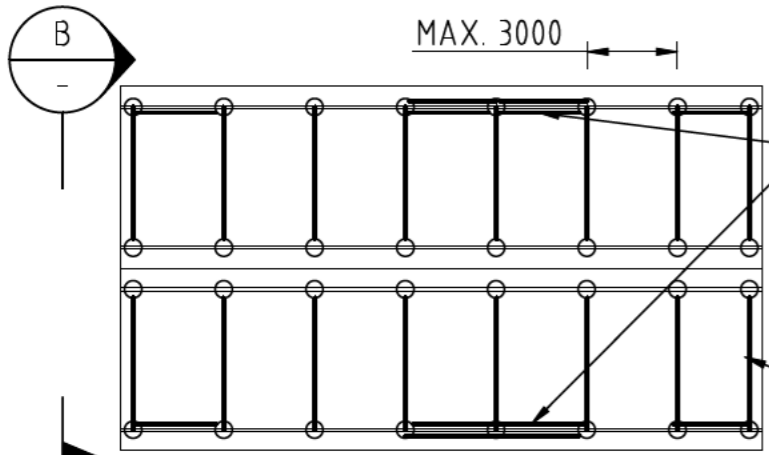
PROVIDE DIAGONAL BRACING IN EACH CORNER AND AT 6m MAXIMUM CENTERS ACROSS SHORT WIDTH OF BUILDING

PROVIDE AN ADDITIONAL SET OF LONG WIDTH CROSS BRACES FOR SUB-FLOOR HEIGHTS > 2.5m



N2 SUB-FLOOR BRACING PLAN - SCALE 1:200

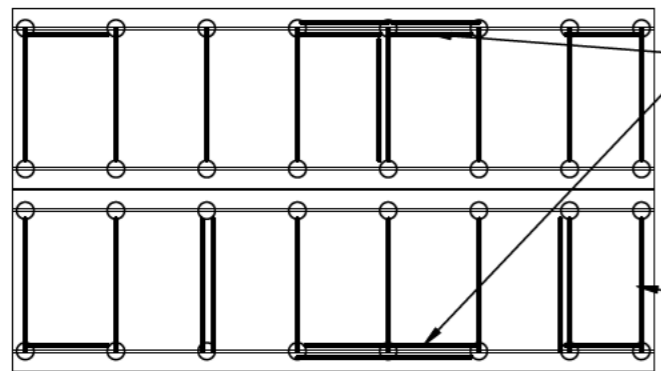
PROVIDE DIAGONAL BRACING IN EACH CORNER AND AN ADDITIONAL CROSS BRACE ACROSS LONG WIDTH OF THE BUILDING. ACROSS SHORT WIDTH OF BUILDING FOR EVERY TWO BAY BRACED ONE BAY CAN BE UNBRACED.



N3 SUB-FLOOR BRACING PLAN - SCALE 1:200

PROVIDE AN ADDITIONAL SET OF LONG WIDTH CROSS BRACES FOR SUB-FLOOR HEIGHTS > 2m

PROVIDE DIAGONAL BRACING IN EACH CORNER AND AN ADDITIONAL CROSS BRACE ACROSS THE LONG WIDTH OF THE BUILDING. BRACE EVERY BAY ACROSS SHORT WIDTH OF BUILDING.

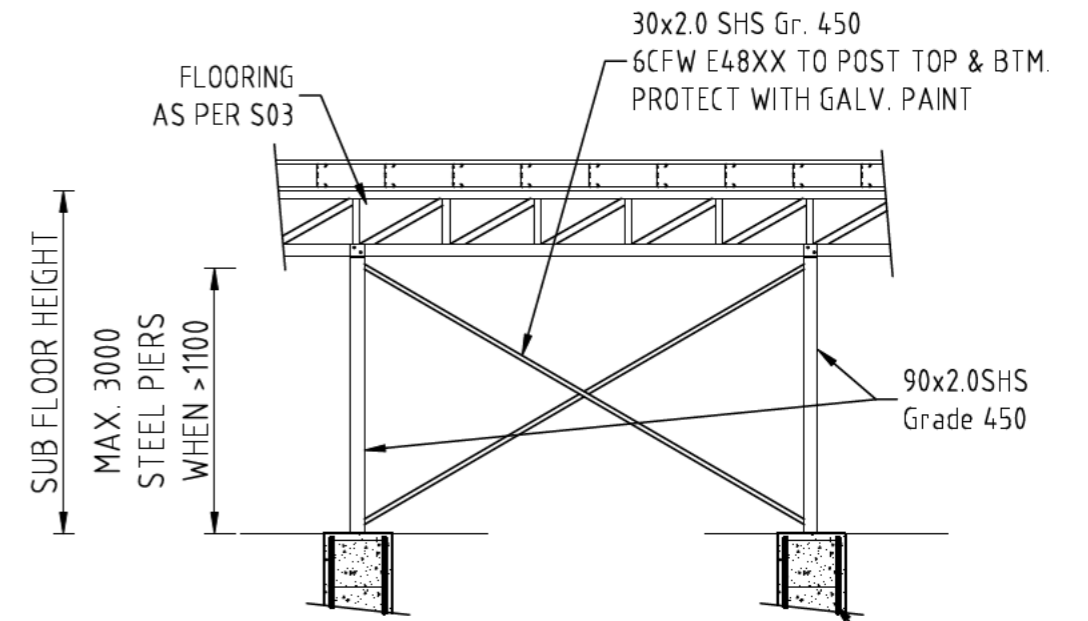


N4 SUB-FLOOR BRACING PLAN - SCALE 1:200

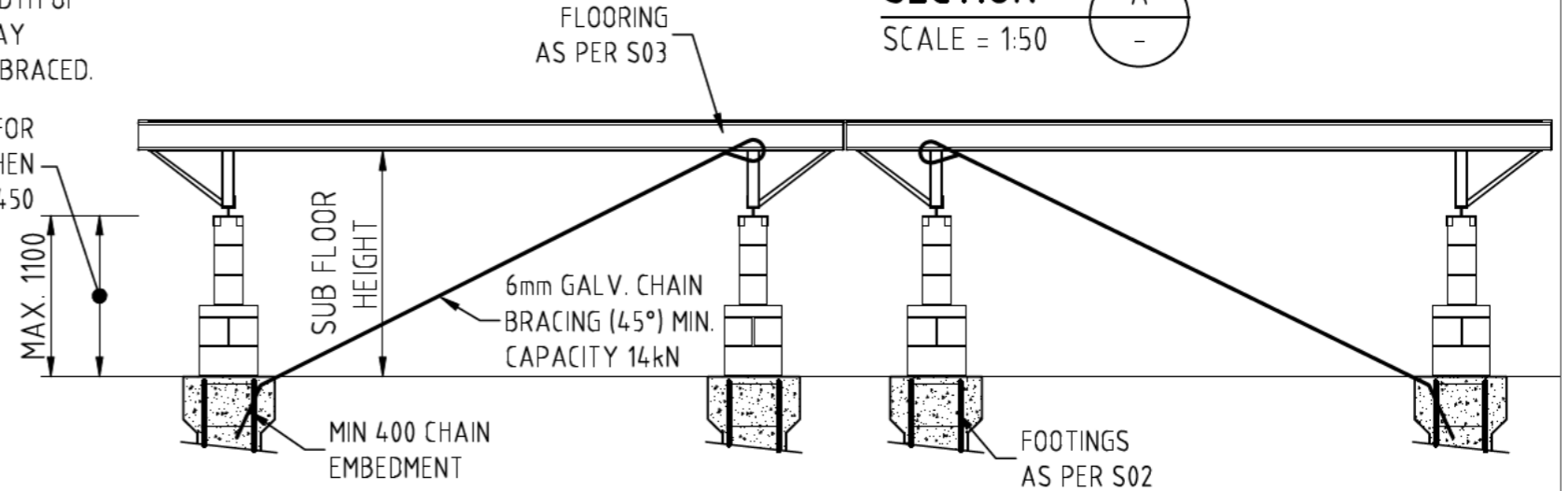
PROVIDE AN ADDITIONAL SET OF LONG WIDTH CROSS BRACES FOR SUB-FLOOR HEIGHTS > 2m

PROVIDE DIAGONAL BRACING IN EACH CORNER AND AN ADDITIONAL CROSS BRACE ACROSS THE LONG WIDTH OF THE BUILDING. BRACE EVERY BAY ACROSS SHORT WIDTH OF BUILDING & ADDITIONAL CROSS BRACE AT EVERY 2ND BAY.

- LEGEND:
- SINGLE 6mm CHAIN BRACING
 - CROSSED 6mm CHAIN BRACING
 - ADDITIONAL 6mm CHAIN CROSSED BRACING



SECTION A
SCALE = 1:50



SECTION B
SCALE = 1:50

NOTES:

- 1) WHERE FLOOR BEARER TRUSS IS SUPPORTED DIRECTLY TO PIER FOOTING, NO SUB FLOOR BRACING IS REQUIRED.
- 2) CHAIN AS HOLD DOWN ALWAYS. CHAIN AS BRACING WHEN BLOCKS ARE USED. WHEN HEIGHT >1100, 30x2.0SHS Gr. 450 CROSSED BRACE

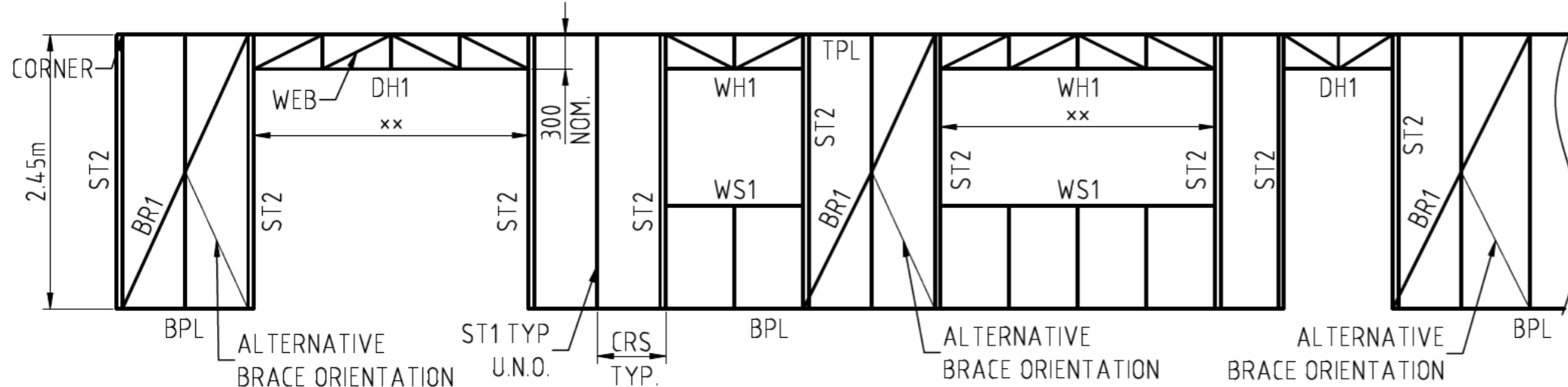
Structural Design Certification By:

ACN 088 342 645
1/36 Darling Street, Dubbo NSW 2830

Chris Bassingthwaight
BE MIEAust CPEng

Date: 25/07/2023
Reference No: 19920-S04_2

6000 MAX BRACING CENTRES - FULL WALL HEIGHT
 N2/N3 - MIN 3 BRACING LOCATIONS PER WALL - EACH 4.2kN RACKING FORCE CAPACITY, 1.2m LONG
 N4 - MIN 4 BRACING LOCATIONS PER WALL - EACH 4.2kN RACKING FORCE CAPACITY, 1.2m LONG

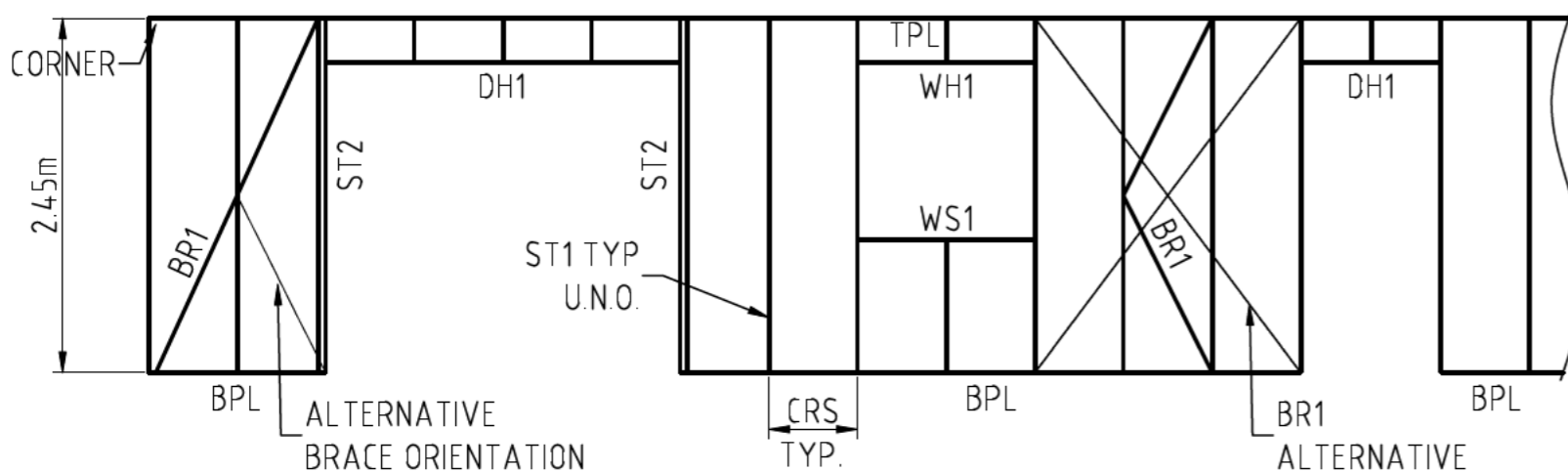


EXTERNAL AND INTERNAL LOADBEARING WALL

SCALE = 1:50

SCHEDULE	
MARK	MEMBER SIZE
BPL TPL	75x50x1.2 UNLIPPED CHANNEL GR 550
ST1	75x32x10x1.2 LIPPED CHANNEL GR 550
ST2	DOUBLE (ST1) STUD
DH1 WH1 WS1	75x50x1.2 UNLIPPED CHANNEL GR 550
BR1	75x32x1.2 UNLIPPED CHANNEL GR 550 OR 25x1.0 GALV STRAP CROSS BRACING
WEB	75x32x1.2 UNLIPPED CHANNEL GR 550

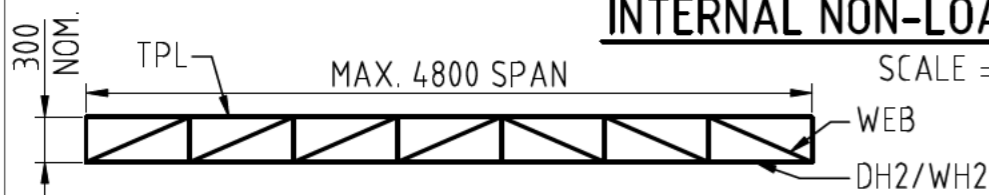
6000 MAX BRACING CENTRES - FULL WALL HEIGHT
 N2/N3 - MIN 3 BRACING LOCATIONS PER WALL - EACH 4.2kN RACKING FORCE CAPACITY, 1.2m LONG
 N4 - MIN 4 BRACING LOCATIONS PER WALL - EACH 4.2kN RACKING FORCE CAPACITY, 1.2m LONG



INTERNAL NON-LOADBEARING WALL

SCALE = 1:50

STUD SCHEDULE FOR 2.45m HIGH WALLS				
WALL	DESIGN CAT.	CRS	STUD TYPE	ST2 REQUIRED
EXTERNAL	N2/SNOW	600	75x32x1.2 LIPPED STUDS	OPENINGS > 900
EXTERNAL	N3/SNOW	450	75x32x1.2 LIPPED STUDS	OPENINGS > 900
EXTERNAL	N4/SNOW	300	75x32x1.2 LIPPED STUDS	OPENINGS > 600
INTERNAL	N2/N3/N4	600	75x32x1.2 LIPPED STUDS	OPENINGS > 5000
INTERNAL	SNOW	600	75x32x1.2 LIPPED STUDS	OPENINGS > 2400
NON-LOAD BEARING	N/A	600	75x32x1.2 LIPPED STUDS	N/A



DH2/WH2 MEMBER SIZES			
WIND	INTERNAL	EXT. WITHOUT VERANDAH	EXTERNAL WITH VERANDAH
N2	75x50x1.6RHS	125x75x4.0RHS	150x75x4.0SWB
N3	75x50x2.0RHS	125x75x4.0RHS	150x75x4.0SWB
N4	75x50x3.0RHS GRADE 450	125x75x6.0RHS GRADE 450	150x75x4.0SWB GRADE 450

SWB - STACKED WELDED BEAM

xx WELDED BRACED HEADS MAXIMUM SPAN		
WIND	EXTERNAL	INTERNAL
N2	3300	4200
N3	2600	3600
N4	2100	3000

NOTE: FOR DOOR/WINDOW WELDED HEAD GREATER THAN ABOVE TABLE & UPTO 4800 REFER TO DH2/WH2 MEMBER TABLE

Structural Design Certification By:

barnson
 DESIGN . PLAN . MANAGE
 ACN 088 342 645
 1/36 Darling Street, Dubbo NSW 2830

Chris Bassingthwaight
 BE MIEAust CPEng

Date: 25/07/2023
 Reference No: 19920-S05_2

Project:
 GENERIC STEEL FRAMING SPECIFICATIONS
 FOR NON CYCLONIC AREAS N2, N3 & N4 WIND
 CLASSIFICATION AND 1.4kPa GROUND SNOW LOAD

Drawing Title:
 STUD WALL DETAILS
 STUD WALL SPECIFICATIONS

Client Name:
 Site Address:
 Reference:

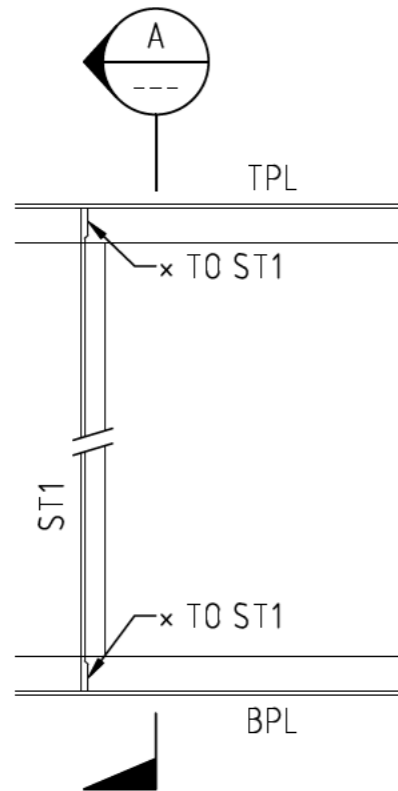
TAYLOR MADE BUILDINGS

Design: R.J.N.
 Drawn: N.K.
 Drawing Sheet
 A3 - Scales as noted

Rev Date Amendment
 2 25/07/2023 REISSUED FOR CONSTRUCTION
 1 18/10/2016 REVISED TO SUIT N4 WIND CLASS
 0 18/12/2013 ISSUED FOR CONSTRUCTION
 A 08/11/2013 PRELIMINARY ISSUE

Drawing Number
 19920-S05

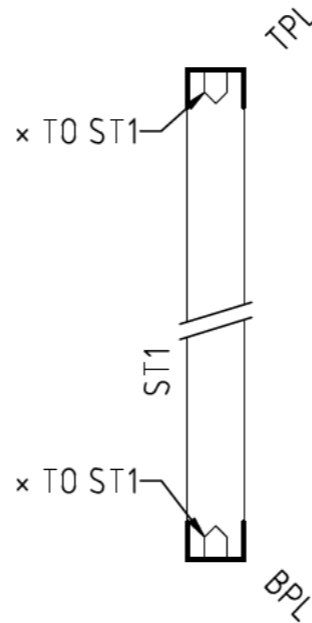
Revision
 2



STUD WALL FRAME ELEVATION

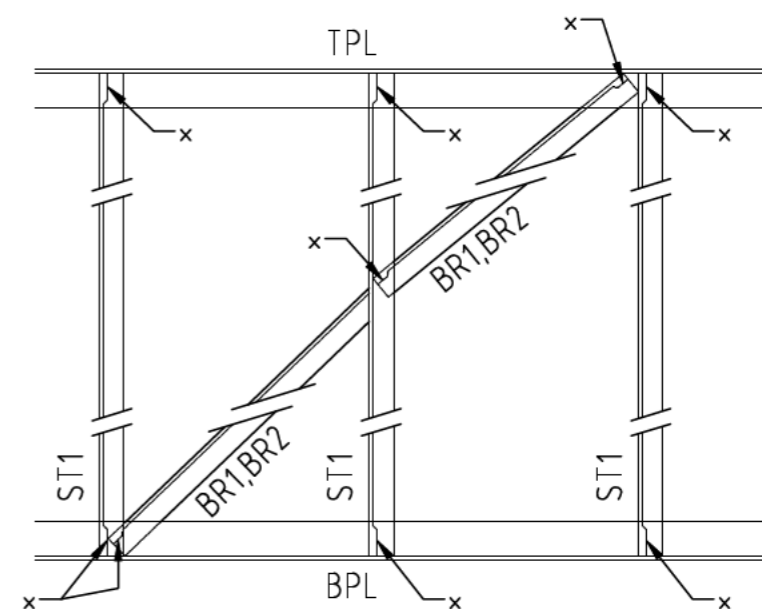
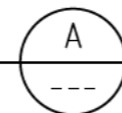
SCALE = 1:10

x DENOTES CRIMP WEB OF NESTING MEMBER TO ALLOW FIT BETWEEN THE FLANGES OF SUPPORTING MEMBER



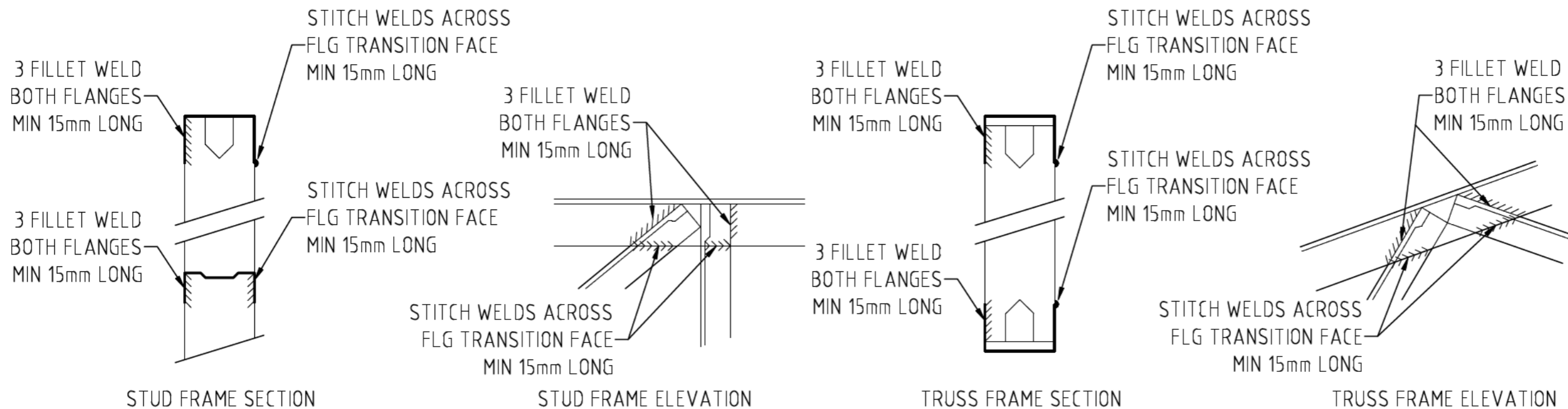
SECTION

SCALE = 1:10



STUD WALL BRACING ELEVATION

SCALE = 1:10



STANDARD WELDING ARRANGEMENTS

SCALE = 1:5

Structural Design Certification By:



DESIGN . PLAN . MANAGE

ACN 088 342 645
1/36 Darling Street, Dubbo NSW 2830

Chris Bassingthwaight
BE MIEAust CPEng



Date: 25/07/2023
Reference No: 19920-S06_2

Project:
GENERIC STEEL FRAMING SPECIFICATIONS
FOR NON CYCLONIC AREAS N2, N3 & N4 WIND
CLASSIFICATION AND 1.4kPa GROUND SNOW LOAD

Drawing Title:
FRAME AND TRUSS
MANUFACTURING DETAILS

Client Name:

Site Address:

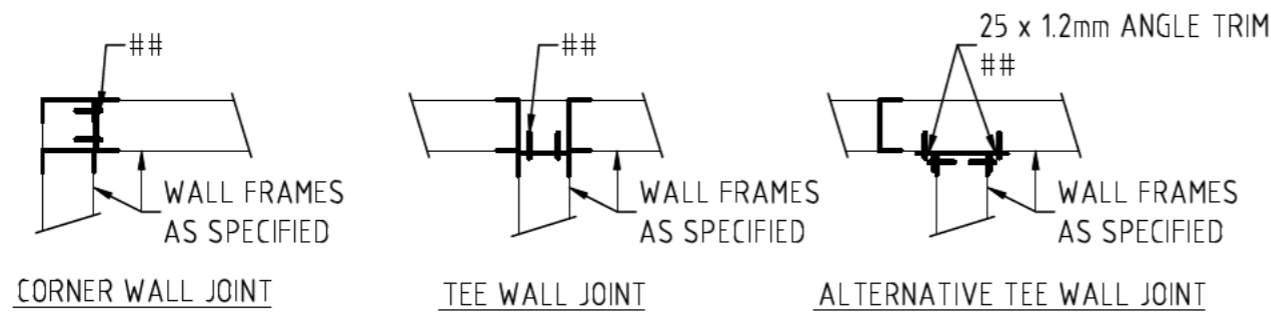
Reference:

TAYLOR MADE BUILDINGS

Design	Drawn	Rev	Date	Amendment
ML	ML	2	25/07/2023	REISSUED FOR CONSTRUCTION
		1	18/10/2016	REVISED TO SUIT N4 WIND CLASS
		0	18/12/2013	ISSUED FOR CONSTRUCTION
		A	08/11/2013	PRELIMINARY ISSUE

Drawing Number
19920-S06

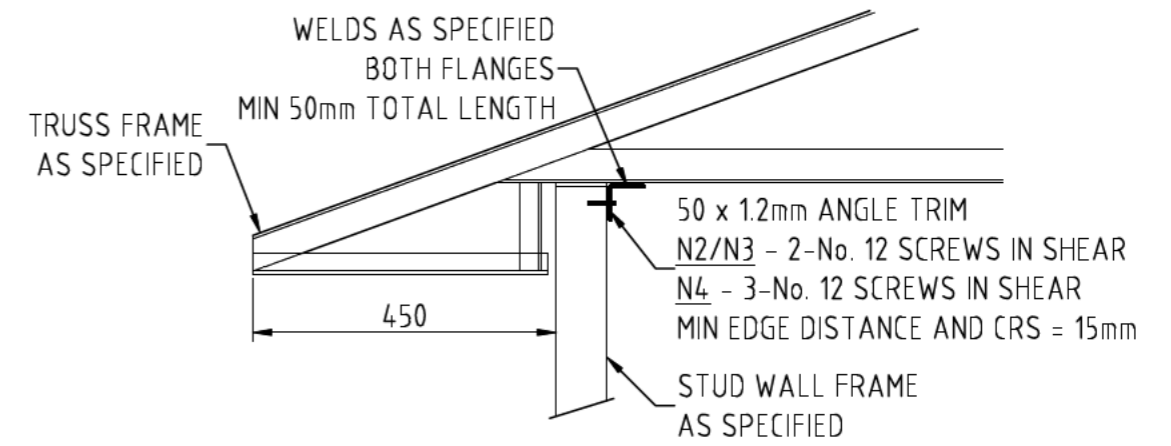
Revision
2



SITE STUD WALL FRAME FIXING DETAILS

SCALE = 1:10

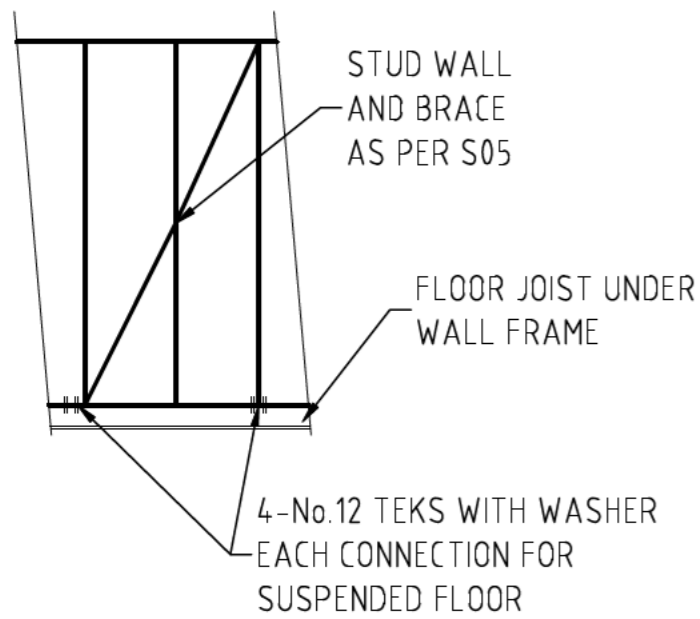
2-No. 12 TEK SCREWS FIXING BETWEEN TOP PL'S, BTM PL'S AND ALL NOGGINGS



SITE TRUSS TO STUD WALL FRAME FIXING DETAIL

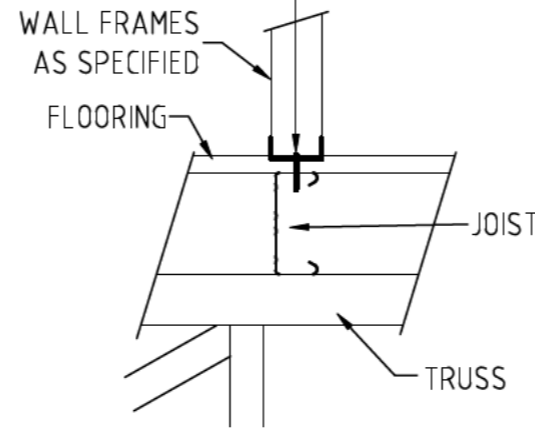
SCALE = 1:10

N2/N3:- No. 14 x 50 TEK SCREWS
AT 600 MAX CRS EXTERNAL WALLS,
1200 CRS INTERNAL WALLS
N4:- No. 14 x 50 TEK SCREWS
AT 300 MAX CRS EXTERNAL WALLS,
600 CRS INTERNAL WALLS



INTERNAL AND EXTERNAL WALL BRACE CONNECTION

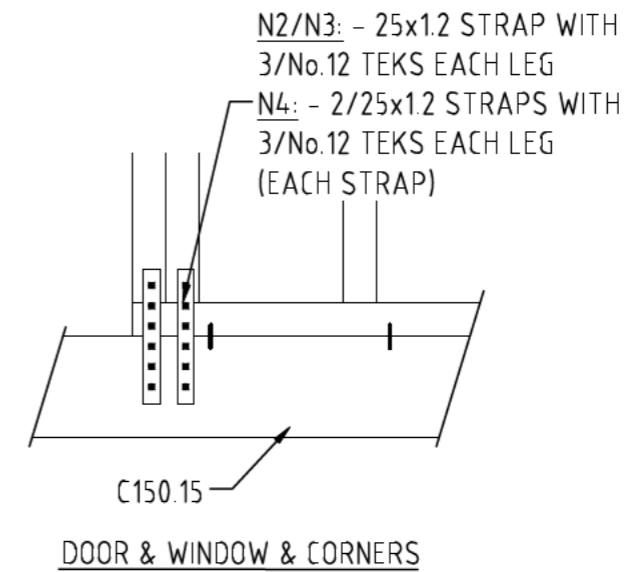
SCALE = 1:50



SUSPENDED FLOORING SYSTEM
INTERNAL OR EXTERNAL WALLS

STUD WALL FRAME TIE DOWN DETAILS

SCALE = 1:10



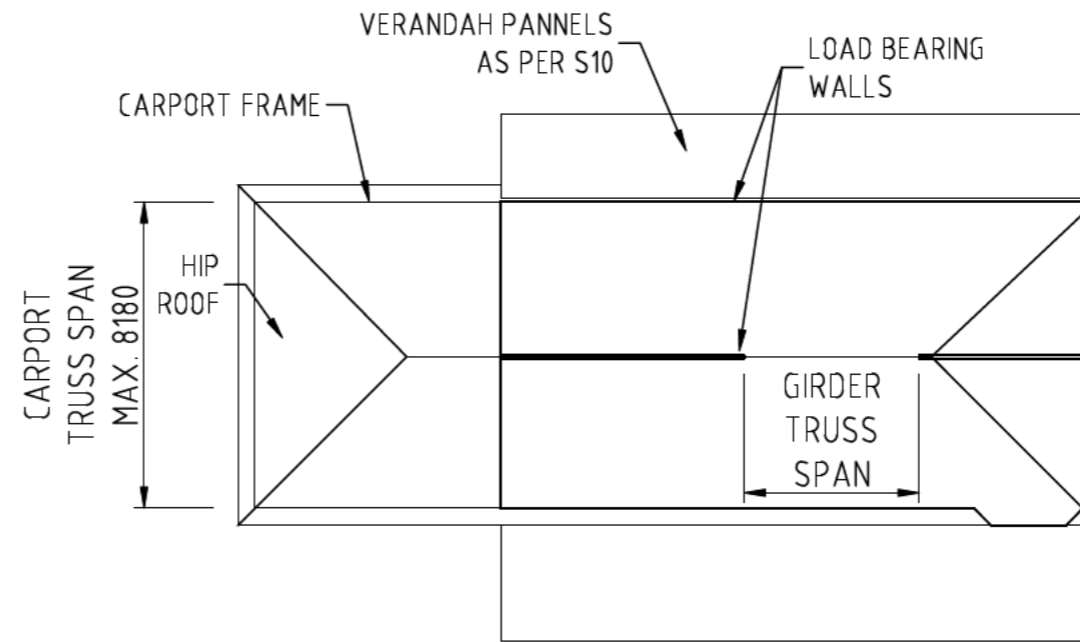
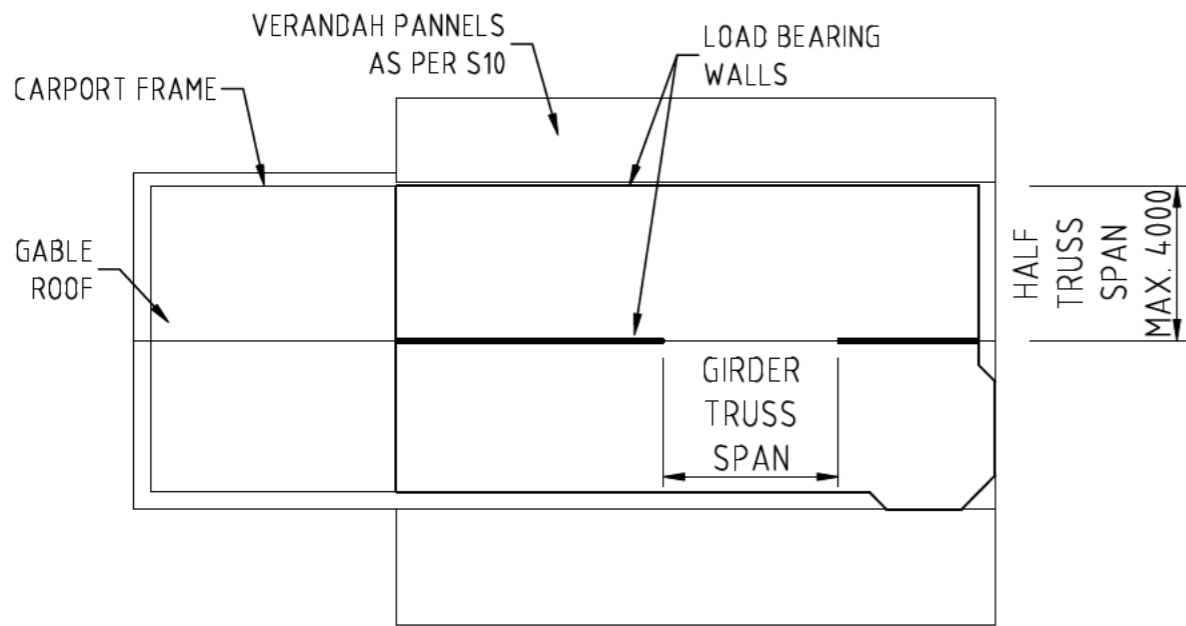
DOOR & WINDOW & CORNERS

Structural Design Certification By:

barnson
DESIGN . PLAN . MANAGE
ACN 088 342 645
1/36 Darling Street, Dubbo NSW 2830

Chris Bassingthwaighte
BE MIEAust CPEng

Date: 25/07/2023
Reference No: 19920-S07_4

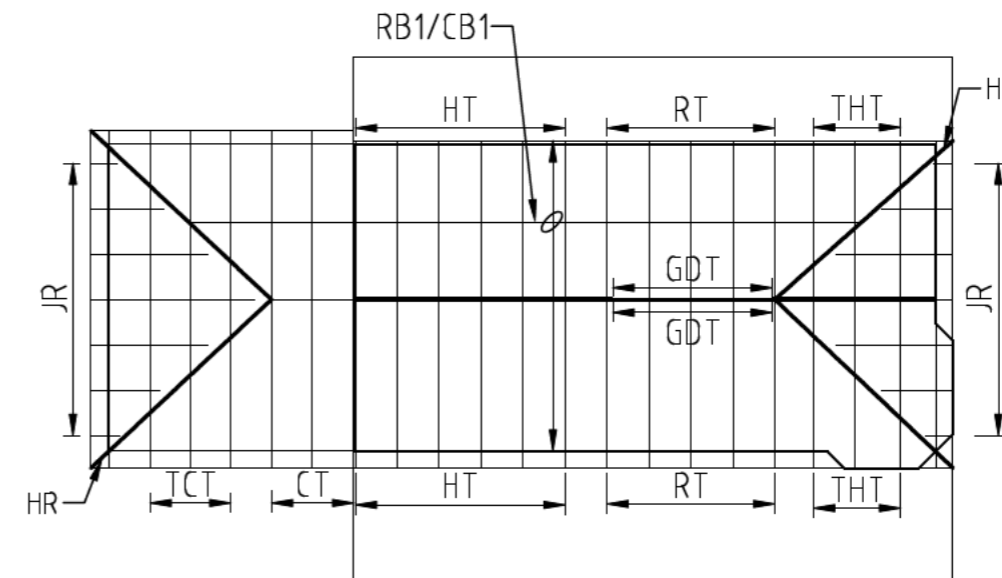
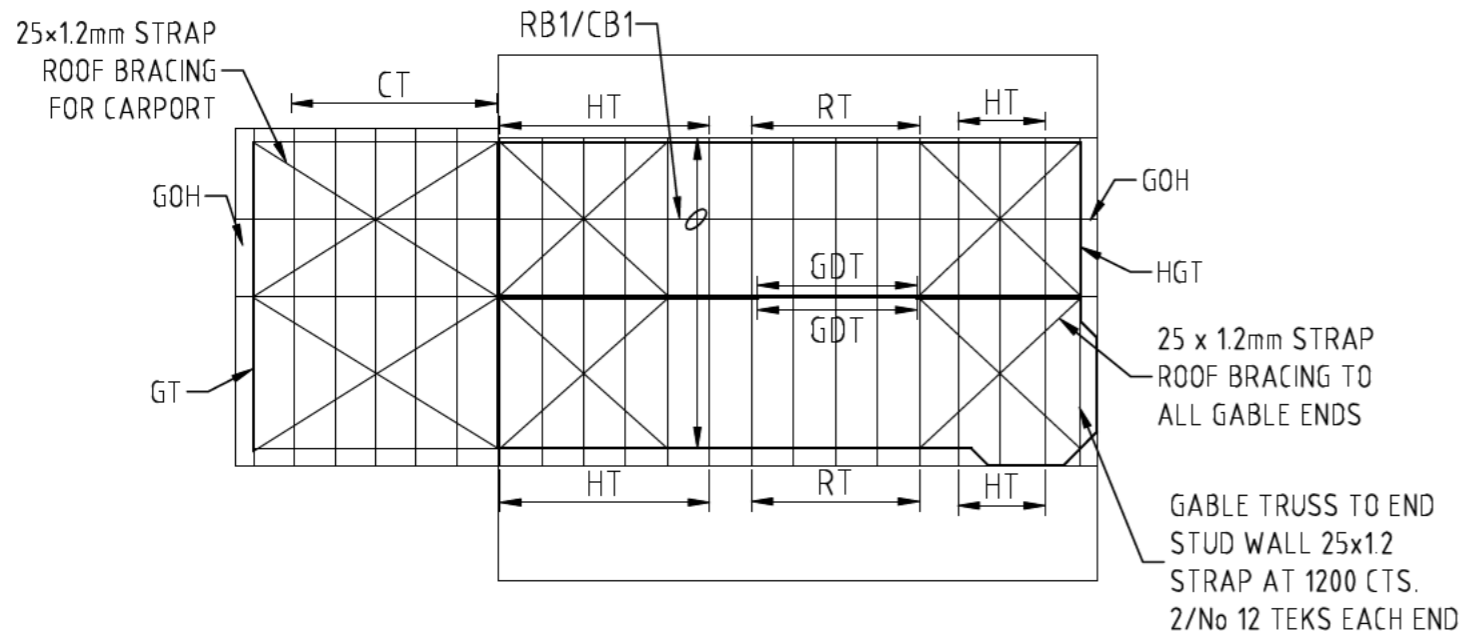


- ### TRUSS MARKS
- REFER DRAWING 19920-S09,S10 &S13
- CT - CARPORT TRUSS
 - TCT - TRUNCATED CT
 - HT - HALF TRUSS
 - THT - TRUNCATED HT
 - RT - RAKED TRUSS
 - GT - GABLE TRUSS
 - HGT - HALF GABLE TRUSS
 - GOH - GABLE OVERHANG
 - GDT - GIRDER TRUSS (DOUBLE)
 - JR - JACK RAFTER
 - HR - HIP RAFTER

ROOF ARRANGEMENT PLANS

SCALE = NTS

STEELWORK MEMBER SCHEDULE		
MARK	MEMBER SIZE	REMARKS
RB1 FOR N2/N3	TH40 (0.55)	ROOF BATTENS AT 1200 MAX. CTRS. INTERNAL & 900 END
RB1 FOR N4	TH40 (0.55)	ROOF BATTENS AT 1000 MAX. CTRS. INTERNAL & 600 END
CB1	TH22	CEILING BATTENS AT 600 MAX. CTRS



ROOF FRAMING PLANS

SCALE = NTS

Structural Design Certification By:

barnson
DESIGN . PLAN . MANAGE
ACN 088 342 645
1/36 Darling Street, Dubbo NSW 2830

Chris Bassingthwaight
BE MIEAust CPEng

Date: 25/07/2023
Reference No: 19920-S08_3

Project:
GENERIC STEEL FRAMING SPECIFICATIONS
FOR NON CYCLONIC AREAS N2, N3 & N4 WIND
CLASSIFICATION AND 1.4kPa GROUND SNOW LOAD

Drawing Title:
ROOF ARRANGEMENT PLANS
ROOF FRAMING PLANS

Client Name:
Site Address:
Reference:

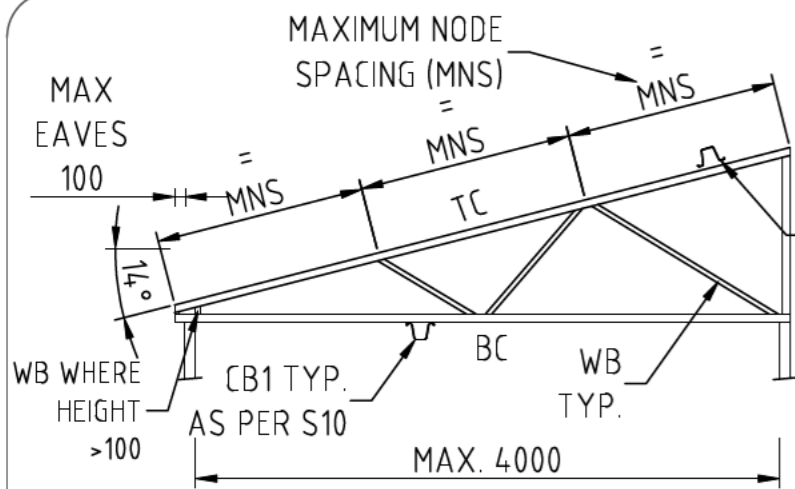
TAYLOR MADE BUILDINGS

Design ML Drawn ML Rev 3 Date 25/07/2023 Amendment REISSUED FOR CONSTRUCTION

Drawing Sheet
A3 - Scales as noted

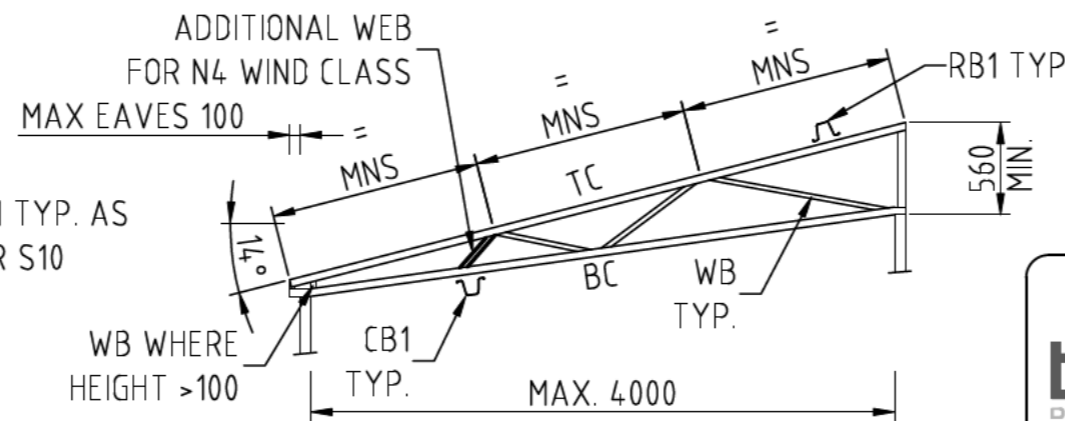
Drawing Number
19920-S08

Revision
3



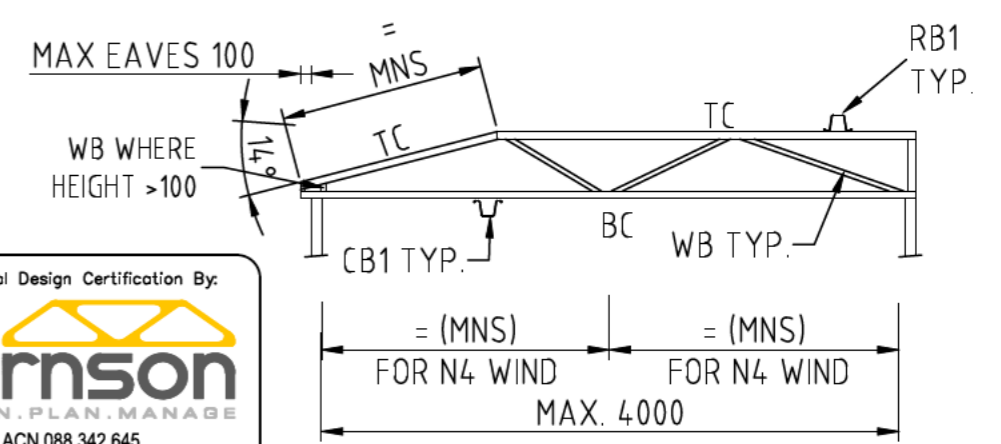
HALF TRUSS (HT)

SCALE = 1:50



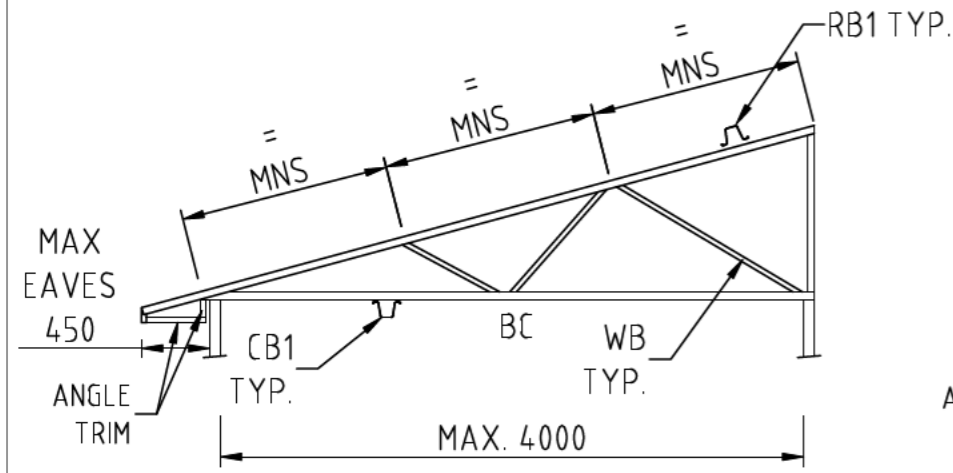
RAKED CEILING TRUSS (RT)

SCALE = 1:50



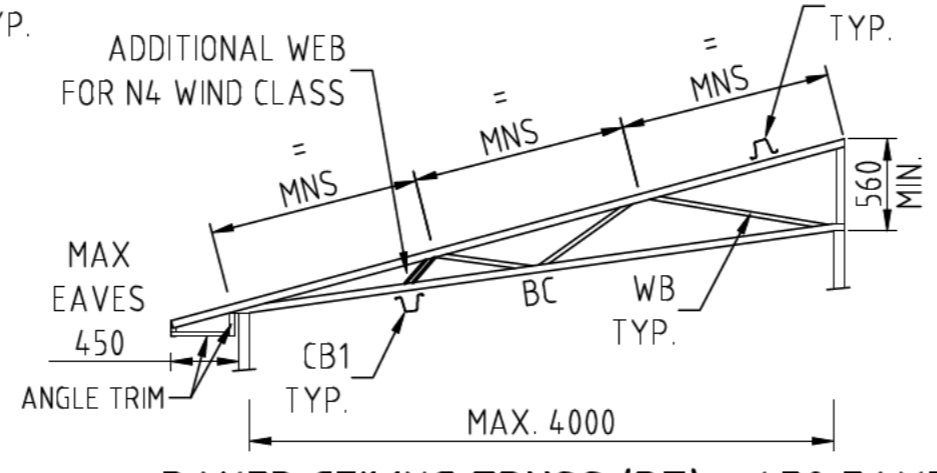
TRUNCATED HALF TRUSS (THT)

SCALE = 1:50



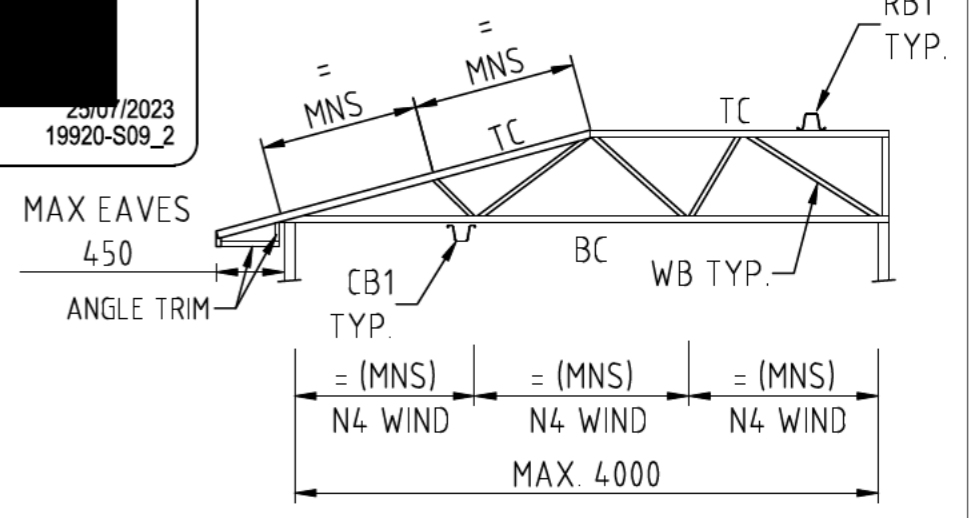
HALF TRUSS (HT) - 450 EAVES

SCALE = 1:50



RAKED CEILING TRUSS (RT) - 450 EAVES

SCALE = 1:50



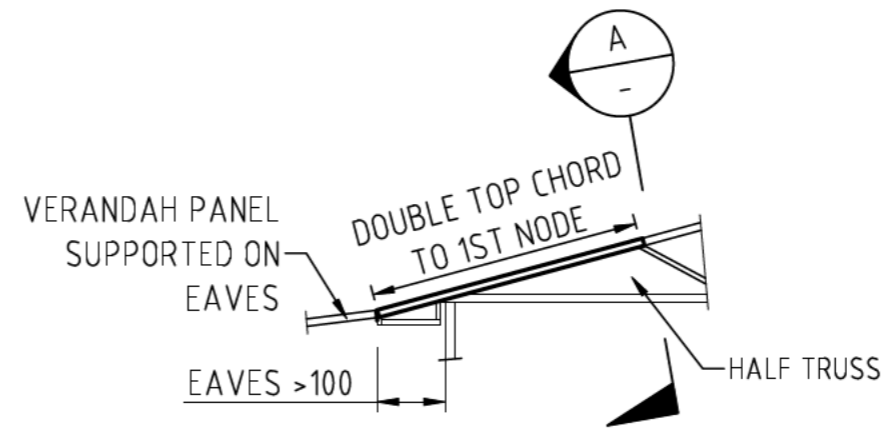
TRUNCATED HALF TRUSS (THT)

450 EAVES

SCALE = 1:50

NOTE: ALL TRUSSES TO BE RESTRAINED BY ROOF AND CEILING BATTENS

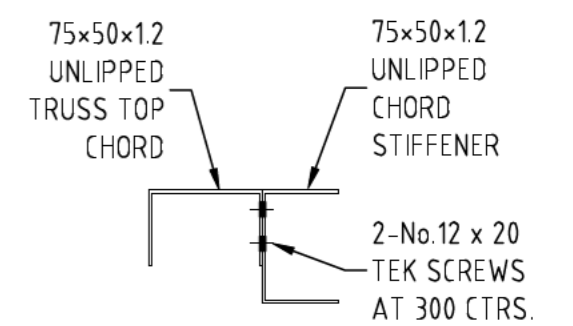
HALF TRUSS DESIGN PARAMETERS				
TRUSS MARK	LOADING CATEGORY	TRUSS SPACING	MAX. NODE SPACING (MNS)	TRUSS TOP CHORDS (TC) & BTM CHORDS (BC)
				TRUSS INTERNAL WEBBING (WB)
HT	N2	1200	1.4	TC/BC - 75x50x1.2 UNLIPPED CHANNEL (GR 500) WB - 75x32x1.2 UNLIPPED CHANNEL (GR 500)
	N3	1000	1.4	
	N4	800	1.4	
	S _n	1000	1.4	
RT	N2	1000	1.4	
	N3	1000	1.4	
	N4	800	1.4	
	S _n	800	1.1	
THT	N2	1200	1.4	
	N3	1000	1.4	
	N4	800	1.4	
	S _n	1000	1.4	



VERANDAH TOP CHORD STIFFENER

SCALE = 1:50

REQUIRED WHERE VERANDAH RAFTER IS SUPPORTED ON EAVES GREATER THAN 100mm



SECTION A

SCALE = 1:5

(DOUBLE STUD)

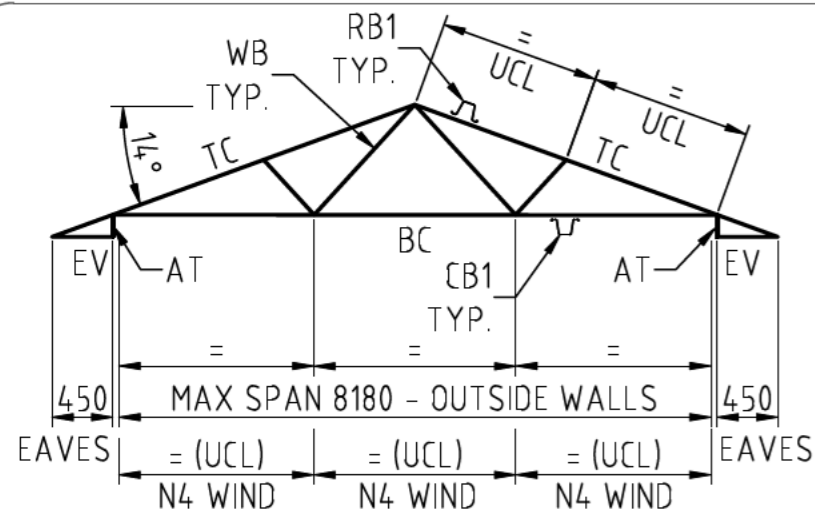
Structural Design Certification By:

barnson
DESIGN . PLAN . MANAGE

ACN 088 342 645
1/36 Darling Street, Dubbo NSW 2830

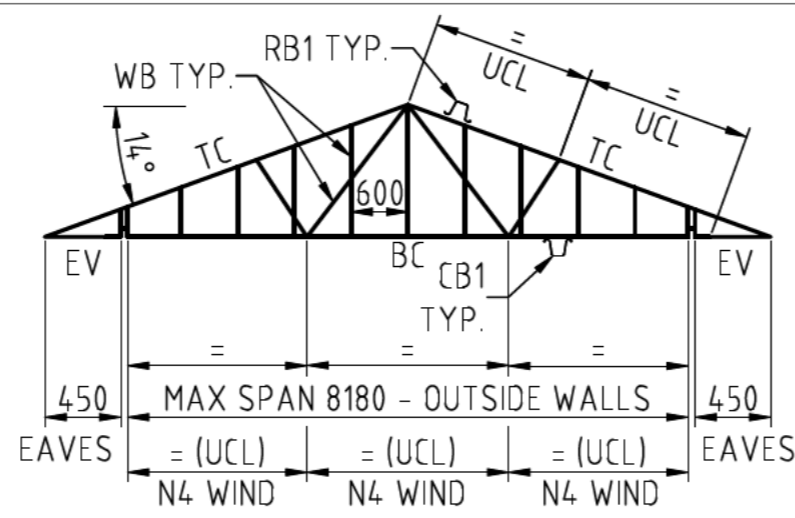
Chris Bassingthwaight
BE MIEAust CPEng

Date: 25/07/2023
Reference No: 19920-S09_2



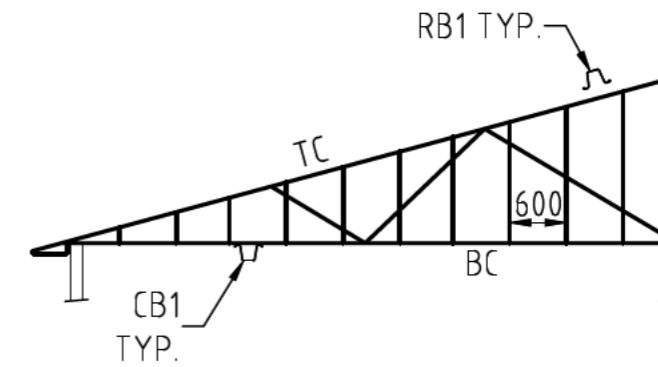
CARPORT TRUSS - CT

SCALE = NTS



GABLE TRUSS - GT

SCALE = NTS



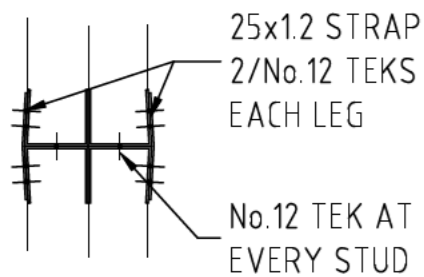
HALF GABLE TRUSS (HGT)

SCALE = NTS

LEGEND

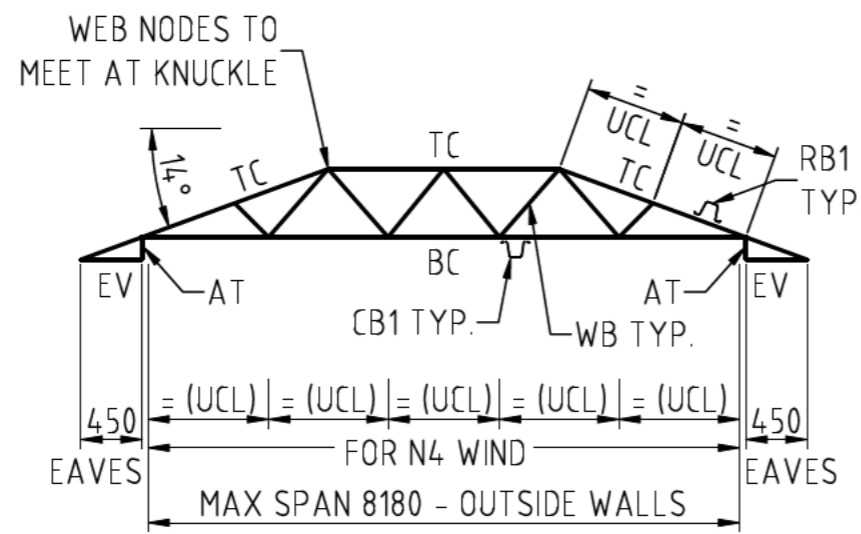
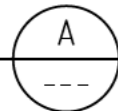
AT = ANGLE TRIM

EV = 75x32x1.2 CHANNEL (GR. 550)



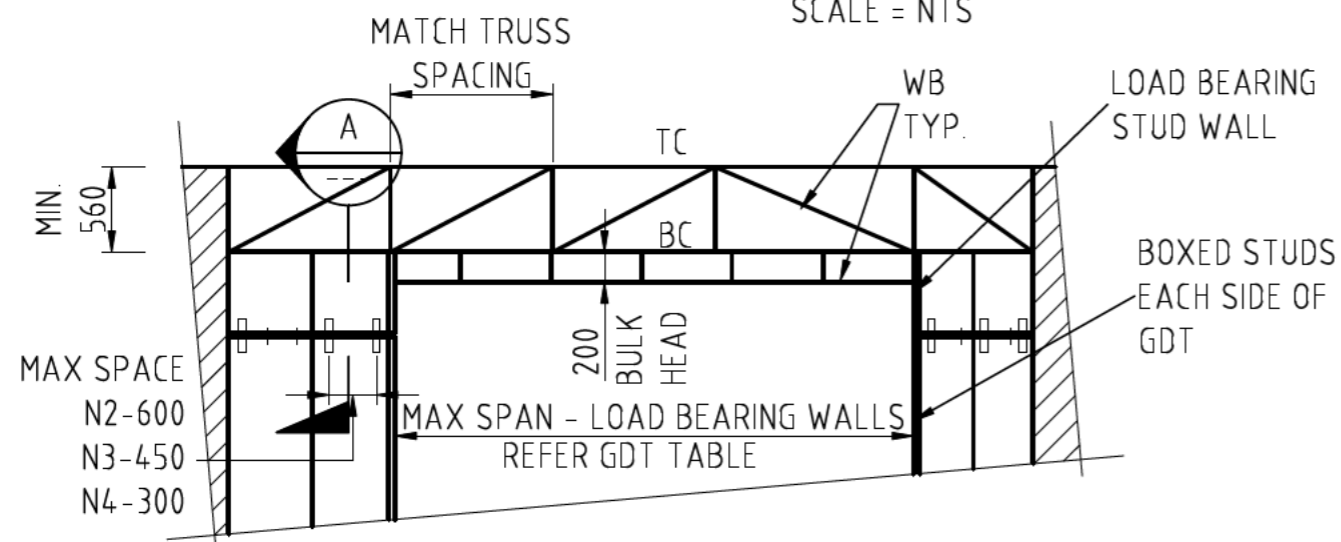
SECTION

SCALE = NTS



TRUNCATED CARPORT TRUSS - TCT

SCALE = NTS



TYPICAL GIRDER TRUSS - GDT

SCALE = NTS

CARPORT TRUSS DESIGN PARAMETERS				
TRUSS MARK	LOADING CATEGORY	TRUSS SPACING	UCL	TRUSS TOP CHORDS (TC) & BTM CHORDS (BC)
				TRUSS INTERNAL WEBBING (WB) xx
CT	N2	1200	1.4	TC/BC - 75x50x1.2 UNLIPPED CHANNEL (GR 550) WB - 75x32x1.2 UNLIPPED CHANNEL (GR 550)
	N3	1000	1.4	
	N4	800	1.0	
	S _n	1000	1.1	
TCT	N2	1200	1.1	
	N3 xxx	1000	1.1	
	N4 xxx	800	0.9	
	S _n xxx	1000	1.1	
GT	N2	1200	1.4	
	N3	1000	1.4	
	N4	800	1.0	
	S _n	1000	1.1	

xx ALL WB LENGTHS GREATER THAN 2400 ARE TO BE NOGGED AT MIDSPAN WITH

75 x 32 x 1.2 CHANNEL GRADE 550

xxx DOUBLE TRUSSES TO BE USED FOR TRUNCATED TRUSSES LESS THAN

450mm IN HEIGHT

DOUBLE GIRDER TRUSS DESIGN PARAMETERS (GDT)		
LOADING CATEGORY	MAX. SPAN	TRUSS TOP CHORDS (TC) & BTM CHORDS (BC)
		TRUSS INTERNAL WEBBING (WB) xx
N2	8000	TC/BC - 75x50x1.2 UNLIPPED CHANNEL GR 550 WB - 75x32x1.2 UNLIPPED CHANNEL GR 550
N3	7000	
N4	5000	
S _n	6000	

NOTE:

1) HALF TRUSS MAX SPAN 4m

2) SNOW LOAD - 1.4 GROUND SNOW LOAD

Structural Design Certification By:

barnson
DESIGN . PLAN . MANAGE
ACN 088 342 645
1/36 Darling Street, Dubbo NSW 2830

Chris Bassingthwaite
BE MIEAust CPEng

Date: 25/07/2023
Reference No: 19920-S10_2

Project:
GENERIC STEEL FRAMING SPECIFICATIONS
FOR NON CYCLONIC AREAS N2, N3 & N4 WIND
CLASSIFICATION AND 1.4kPa GROUND SNOW LOAD

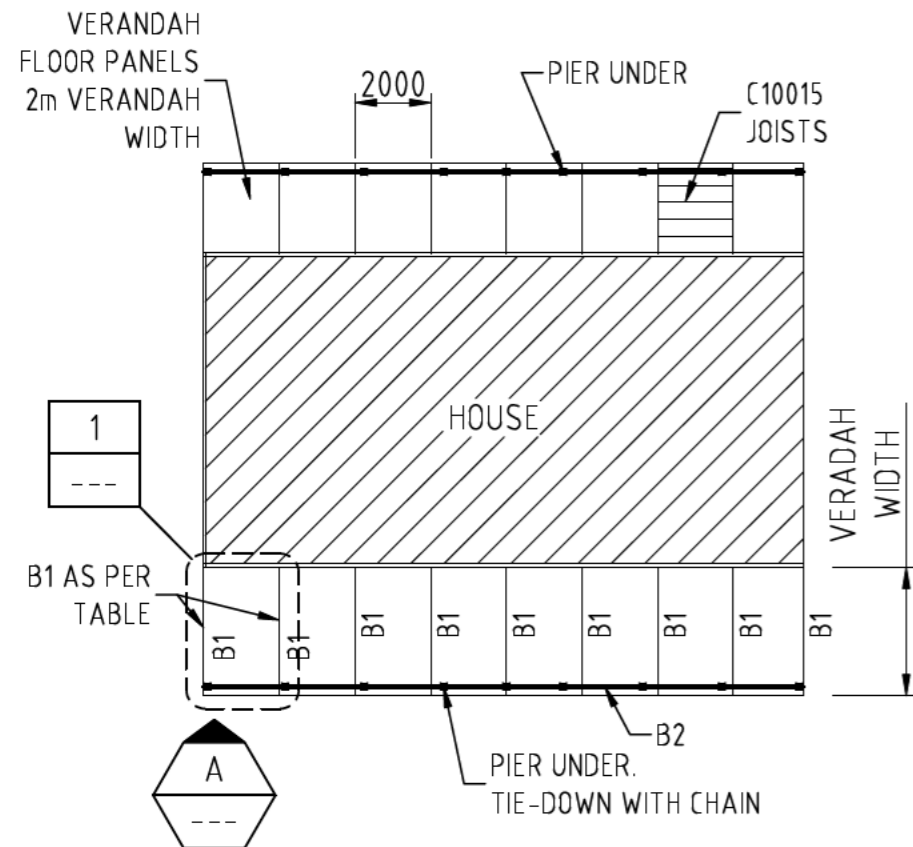
Drawing Title:
CARPORT AND GIRDER TRUSS
DETAILS AND SPECIFICATION

Client Name:
Site Address:
Reference:

TAYLOR MADE BUILDINGS

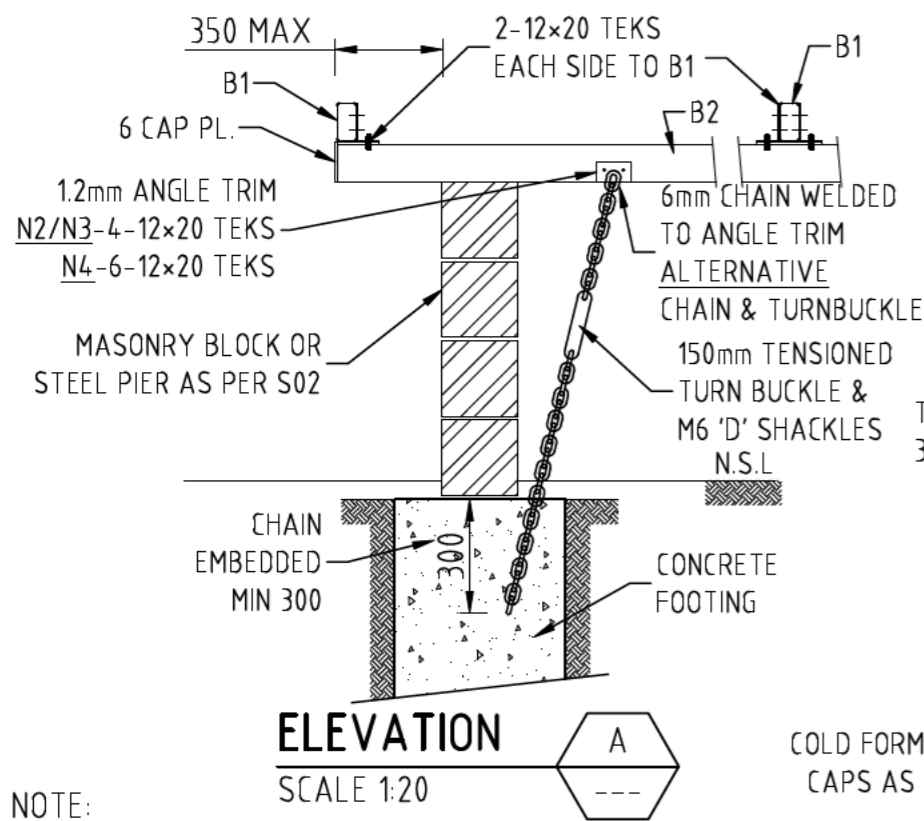
Design ML
Drawn ML
Rev 2 Date 25/07/2023 Amendment ISSUED FOR CONSTRUCTION
1 18/10/2016 REVISED TO SUIT N4 WIND CLASS
0 18/12/2013 ISSUED FOR CONSTRUCTION
A 08/11/2013 PRELIMINARY ISSUE

Drawing Number 19920-S10
Revision 2

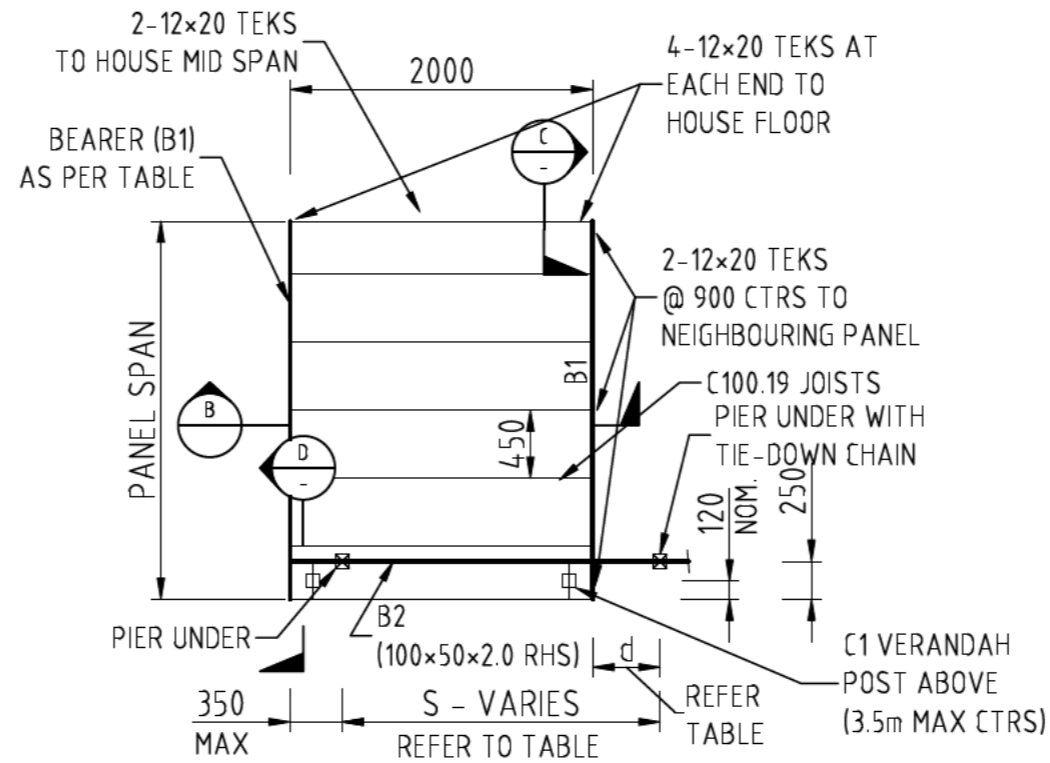


TYPICAL VERANDAH FLOOR ARRANGEMENT

SCALE = 1:200



NOTE:
N2/N3: VERANDAH CHAIN TIE-DOWN AT MAXIMUM 2.8m FOR 3.5m WIDE VERANDAH OR 4m FOR VERANDAH WIDTH 2.5m OR LESS
N4: VERANDAH CHAIN TIE-DOWN AT EVERY PIER



DETAIL 1-VERANDAH FLOOR PANEL

SCALE = 1:50

DESIGN LOADS

- LOADS ARE ACCORDING TO AS1170.1-2002
- DEAD LOAD:
A) ROOF - STEEL ROOF SHEETING, SELF WEIGHT OF BEAMS AND PURLINS (0.3 kPa)
B) VERANDAH FLOOR - FLOOR LOADING (0.3kPa)
- LIVE LOAD:
A) ROOF - MAINTENANCE LOAD OF $1.8/A + 0.12$ kPa (MIN. 0.25 kPa)
B) VERANDAH FLOOR - BALCONY GREATER THAN 1m ABOVE GROUND LEVEL (2kPa)
- WIND LOAD:
CATEGORY N2, N3 & N4 TO AS4055-2021
- SNOW LOAD:
A) 1.4kPa GROUND SNOW LOAD (ORANGE AREA) AS PER AS PER AS1170.3-2003
B) N4 FRAME SUITABLE FOR GROUND SNOW LOAD OF 1.52kPa (LITHGOW)

Structural Design Certification By:

barnson
DESIGN . PLAN . MANAGE

ACN 088 342 645
1/36 Darling Street, Dubbo NSW 2830

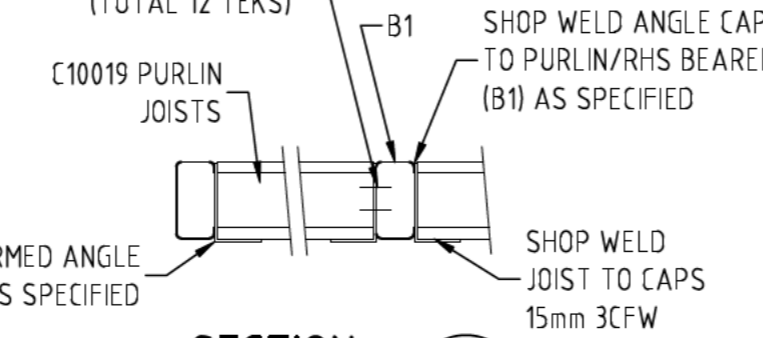
Chris Bassingthwaite
BE MIEAust CPEng

Date: 25/07/2023
Reference No: 19920-S11_3

VERANDAH FLOOR PANEL PARAMETERS		
SPAN	ANGLE CAPS	B1 (PURLIN/RHS BEARER)
3.5	98x60x2.4 ANGLE	100x50x3.0 RHS Gr. 350
2.5	98x60x1.5 ANGLE	C100.19
2.2	98x60x1.5 ANGLE	C100.19
1.9	98x60x1.5 ANGLE	C100.19

VERANDAH BEAM B2 (100x50x2.0 RHS) SPANS		
VERANDAH WIDTH (m)	MAX. B2 SPAN (S) (m)	MAX DISTANCE (d) FROM PANEL EDGE TO PIER (m)
3.5	2.1	0.45
2.5	2.1	0.65
2.2	2.25	0.75
1.9	2.6	1.05

4-12x20 TEKS PER CONNECTION. 3 CONNECTIONS/PANEL (TOTAL 12 TEKS)



SECTION B

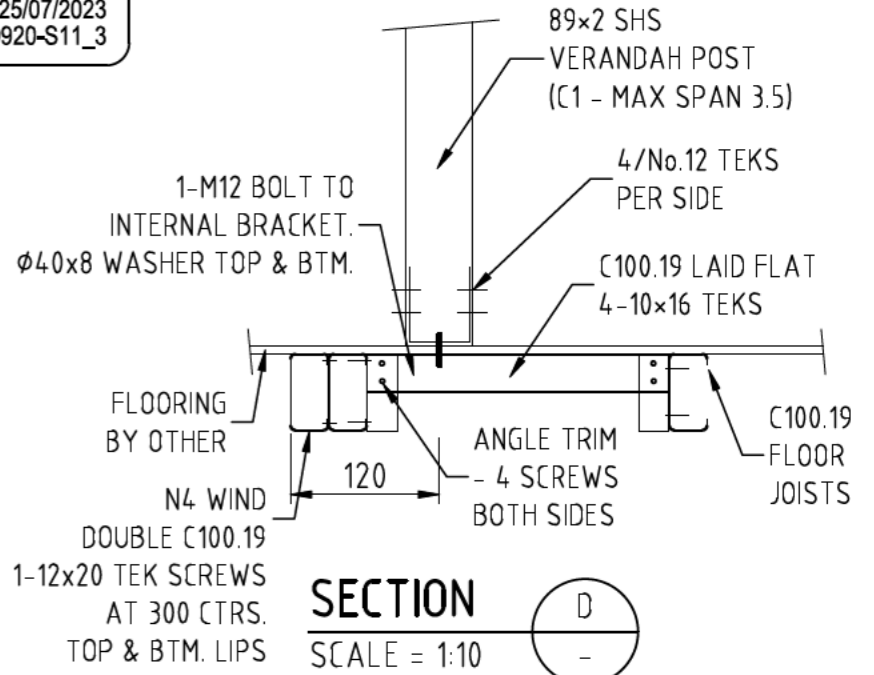
SCALE = 1:10

4-12x20 TEKS PER CONNECTION. 3 CONNECTIONS/PANEL (TOTAL 12 TEKS)



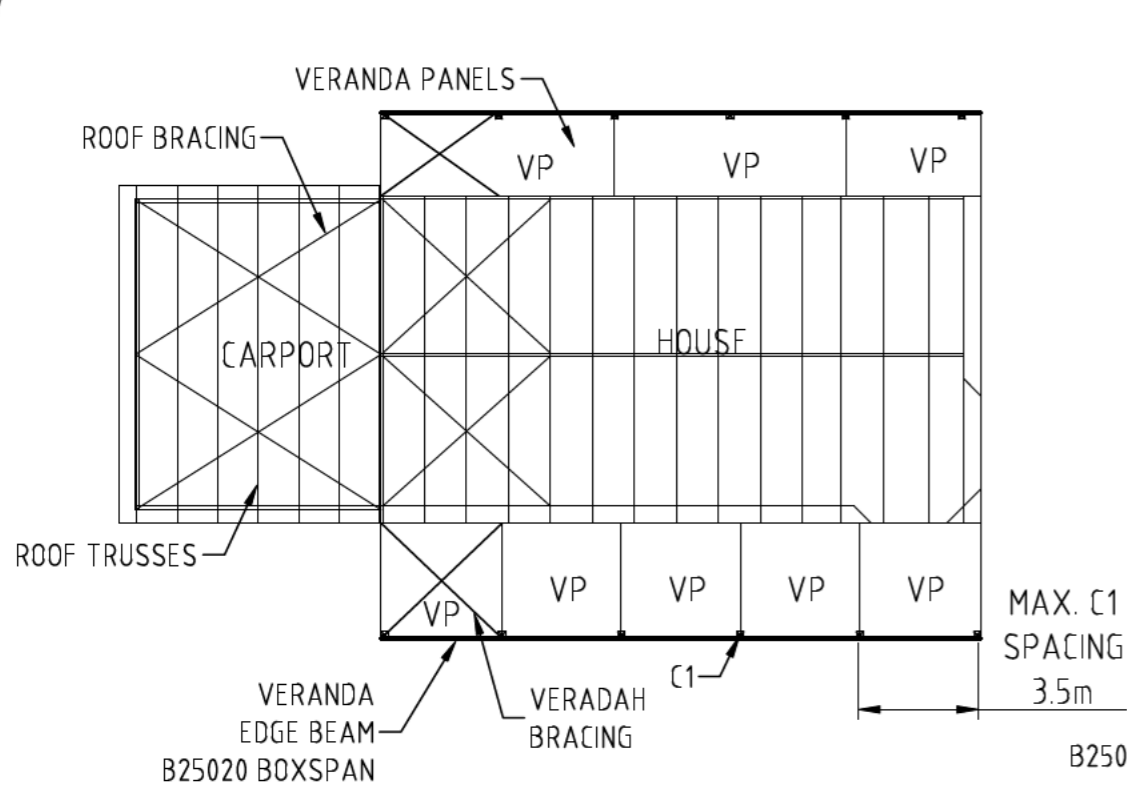
SECTION C

SCALE = 1:10



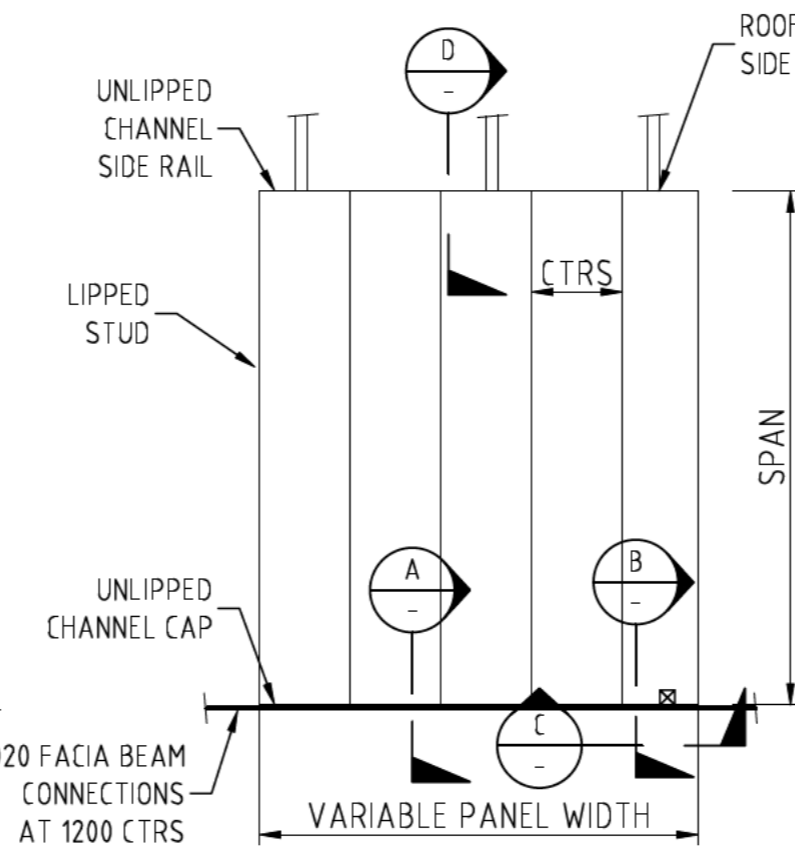
SECTION D

SCALE = 1:10



TYPICAL VERADAH ROOF ARRANGEMENT

SCALE = 1:200



VERADAH ROOF PANEL (VP)

SCALE = 1:50

VERADAH ROOF PANEL PARAMETERS			
SPAN	STUD SIZE	N2/N3 CTRS	N4 CTRS
3.4	90x32x1.2 LIPPED CHANNEL	600	450
2.4	75x32x1.2 LIPPED CHANNEL	1200	900
2.1	75x32x1.2 LIPPED CHANNEL	1200	900
1.8	75x32x1.2 LIPPED CHANNEL	1200	900

DESIGN LOADS

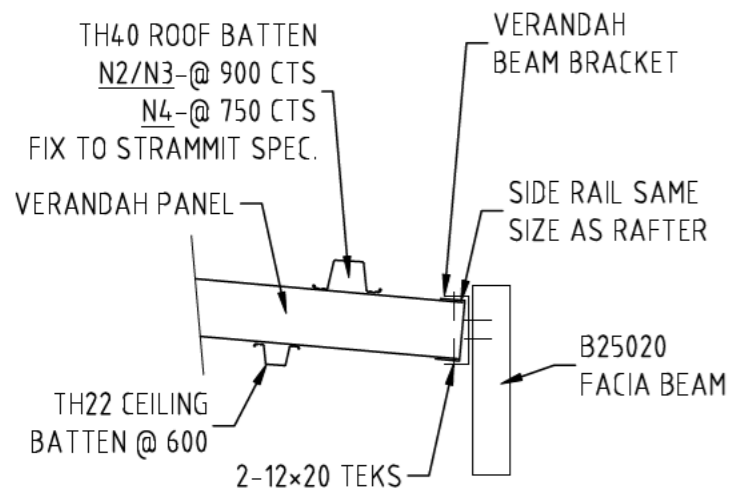
- LOADS ARE ACCORDING TO AS1170.1-2002
- DEAD LOAD:
 - A) ROOF - STEEL ROOF SHEETING, SELF WEIGHT OF BEAMS AND PURLINS (0.3 kPa)
- LIVE LOAD:
 - A) ROOF - MAINTENANCE LOAD OF $1.8/A + 0.12$ kPa (MIN. 0.25 kPa)
- WIND LOAD:
 - CATEGORY N2, N3 & N4 TO AS4055-2021
- SNOW LOAD:
 - A) 1.4kPa GROUND SNOW LOAD (ORANGE AREA) AS PER AS PER AS1170.3-2003
 - B) N4 FRAME SUITABLE FOR GROUND SNOW LOAD OF 1.52kPa (LITHGOW)

Structural Design Certification By:

ACN 088 342 645
1/36 Darling Street, Dubbo NSW 2830

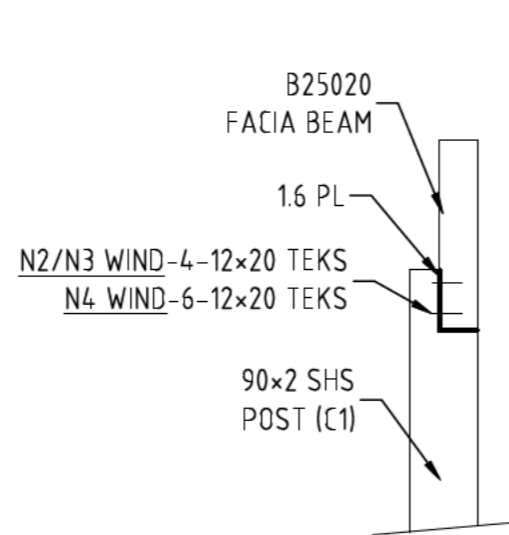
Chris Bassingthwaite
BE MIEAust CPEng

Date: 25/07/2023
Reference No: 19920-S12_3



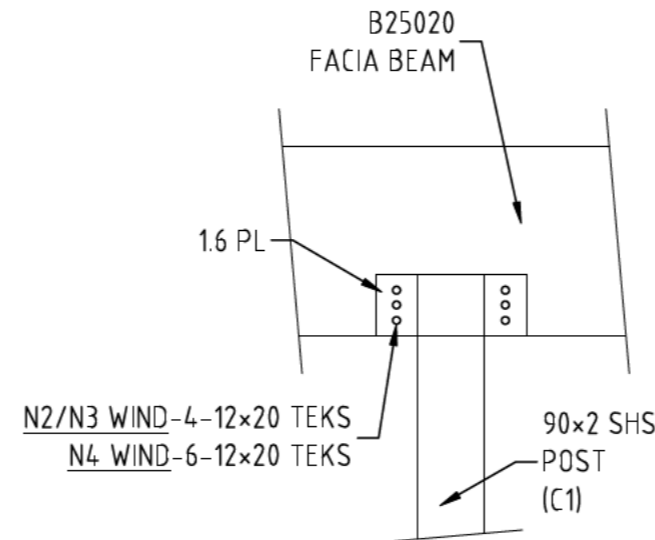
SECTION A

SCALE = 1:10



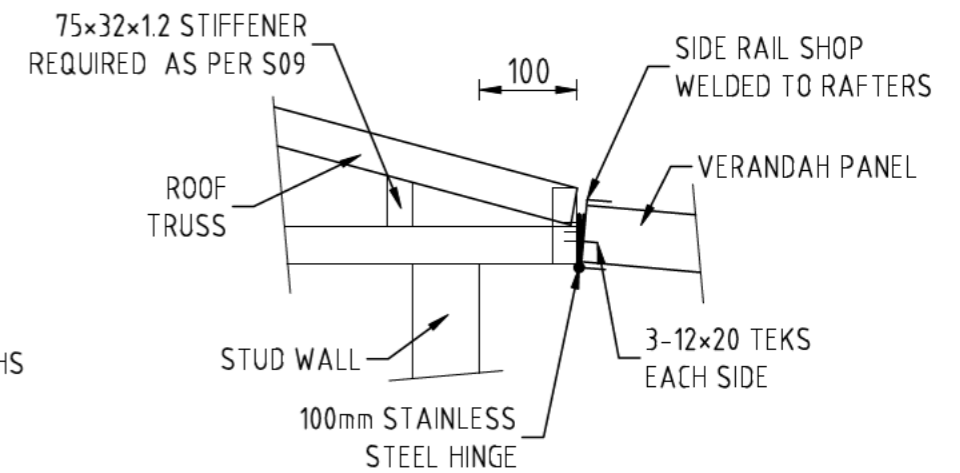
SECTION B

SCALE = 1:10



SECTION C

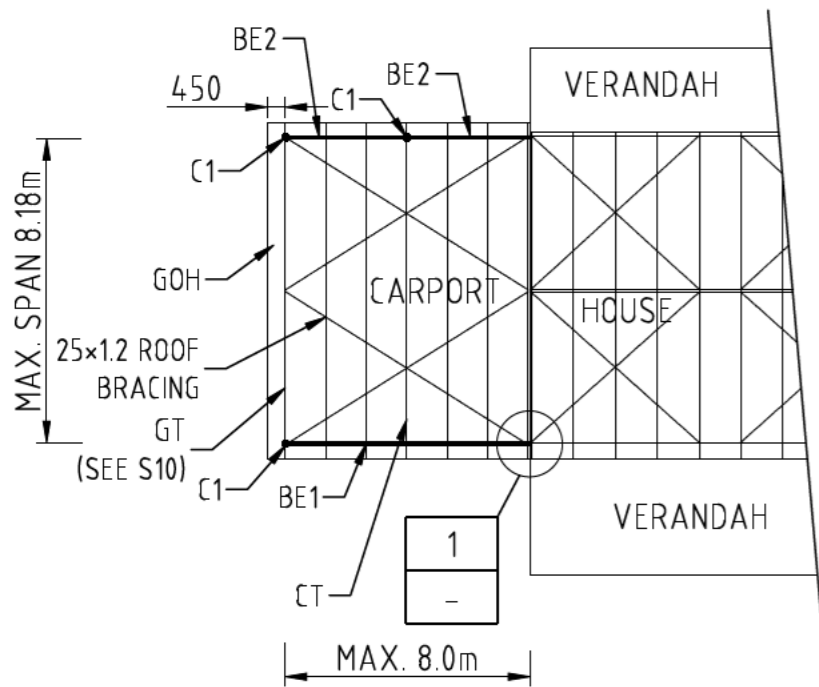
SCALE = 1:10



SECTION D

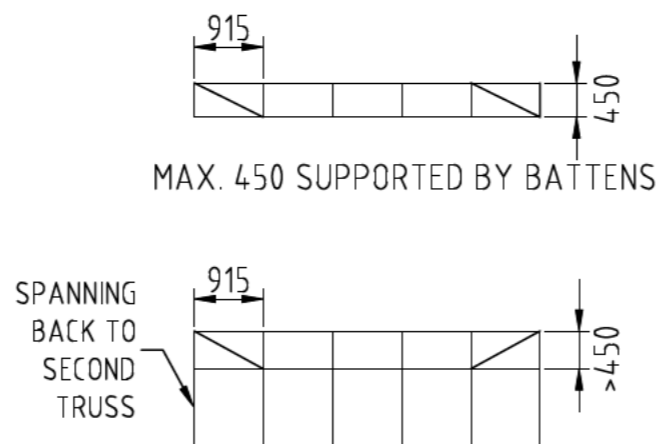
SCALE = 1:10

NOTE: FOR EAVES GREATER THAN 100mm A 75x32x1.2 STIFFENER STUD FIXED TO THE TOP CHORD IS REQUIRED AS PER S09



TYPICAL CARPORT PLAN

SCALE = 1:200

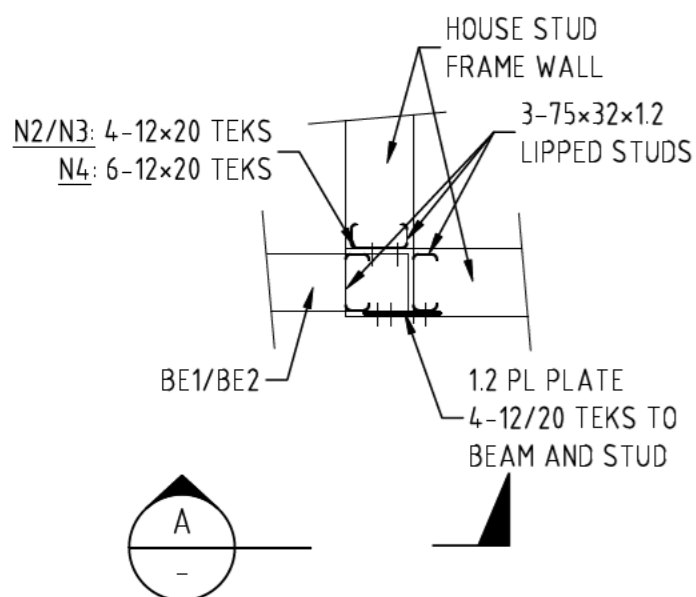


GABLE OVERHANG TRUSS (GOH)

SCALE = 1:100

STEELWORK MEMBER SCHEDULE			
MARK	MEMBER SIZE		REMARKS
	N3 WIND	N4 WIND	
BE1	250x75x4 SWB	250x75x6 SWB	CARPORT BEAM (MAX. 7.3m) GR. 450
BE1	250x125x4 SWB	250x125x4 SWB	CARPORT BEAM (MAX. 8.0m) GR. 450
BE2	125x75x2 RHS	125x75x3 RHS	CARPORT BEAM (MAX. 3.3m) GR. 450
BE2	125x75x3 RHS	125x75x4 RHS	CARPORT BEAM (MAX. 3.7m) GR. 450
BE2	125x75x4 RHS	125x75x4 RHS	CARPORT BEAM (MAX. 4.0m) GR. 450
C1	90 x 2.0 SHS		CARPORT POST GR. 450
CT	STANDARD TRUSS		COLD FORMED STEEL TRUSS

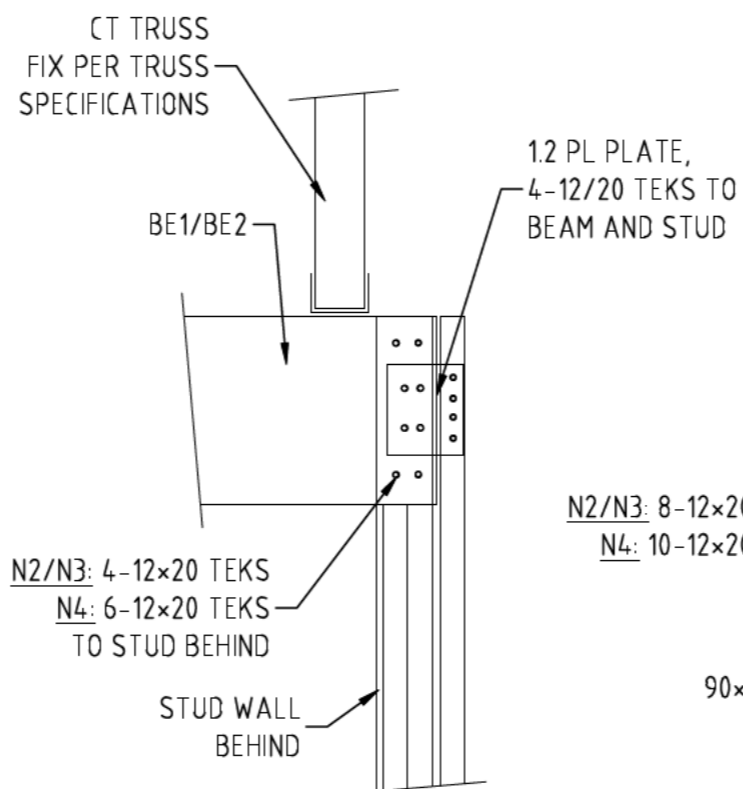
SWB - STACKED WELDED BEAM



DETAIL

SCALE = 1:10

1
-



SECTION

SCALE = 1:10

A
-

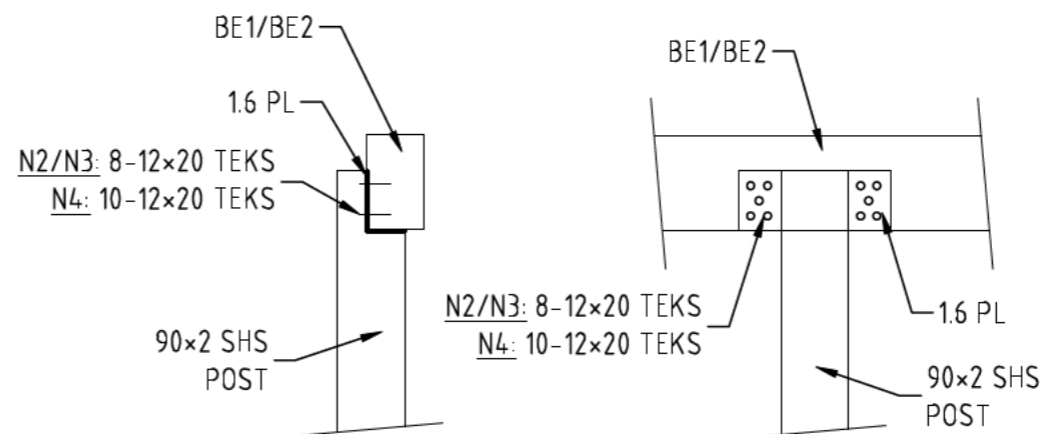
Structural Design Certification By:

ACN 088 342 645
1/36 Darling Street, Dubbo NSW 2830

Chris Bassingthwaight
BE MIEAust CPEng

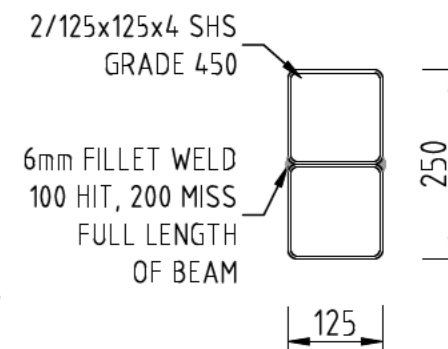
Date: 25/07/2023
Reference No: 19920-S13_4

- DESIGN LOADS**
- LOADS ARE ACCORDING TO AS1170.1-2002
 - DEAD LOAD:
 - ROOF - STEEL ROOF SHEETING, SELF WEIGHT OF BEAMS AND PURLINS (0.3 kPa)
 - LIVE LOAD:
 - ROOF - MAINTENANCE LOAD OF 1.8/A + 0.12 kPa (MIN. 0.25 kPa)
 - WIND LOAD:
 - CATEGORY N2, N3 & N4 TO AS4055-2021
 - SNOW LOAD:
 - 1.4kPa GROUND SNOW LOAD (ORANGE AREA) AS PER AS PER AS1170.3-2003
 - N4 FRAME SUITABLE FOR GROUND SNOW LOAD OF 1.52kPa (LITHGOW)

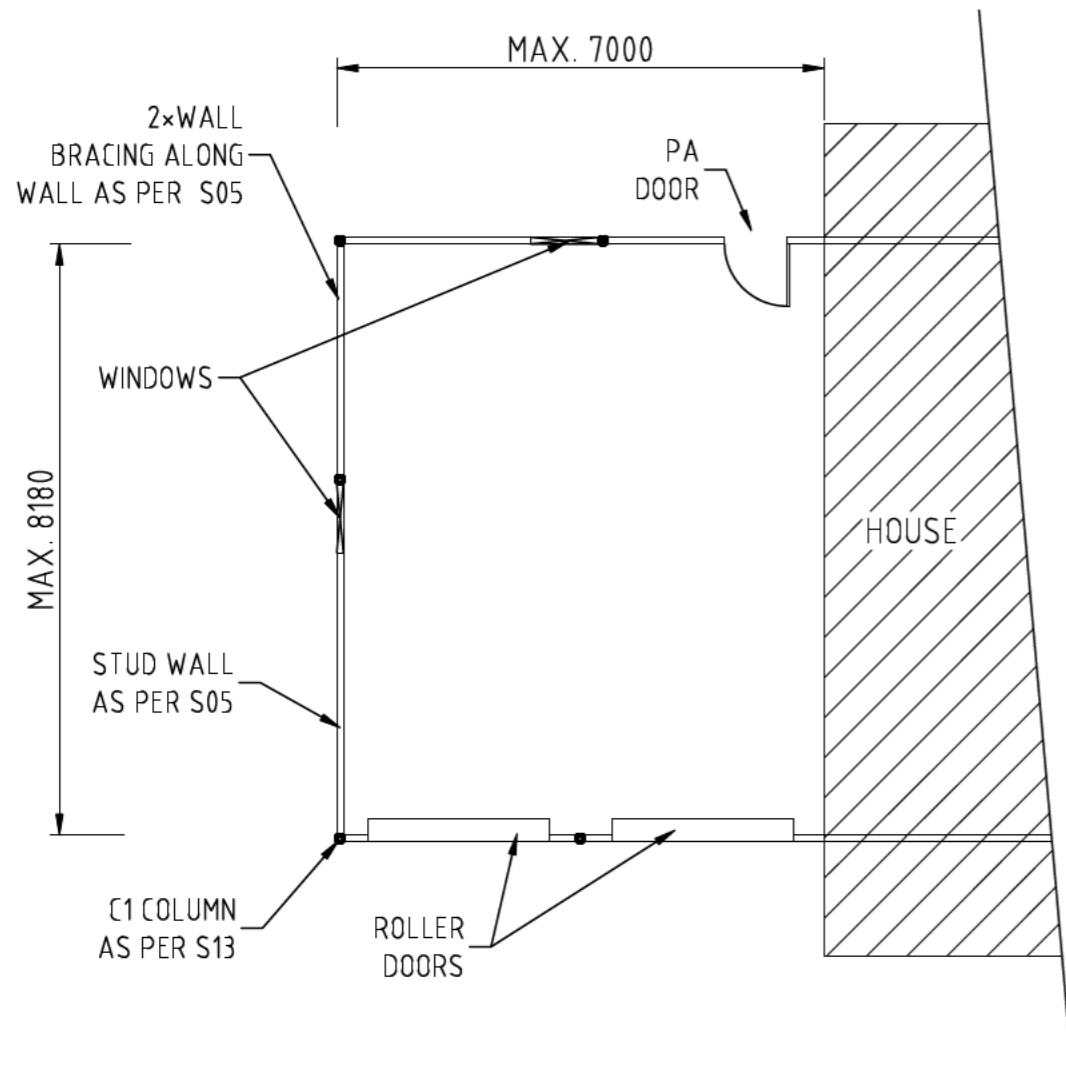


BE1/BE2 TO POST CONNECTION

SCALE = 1:10



250x125x4 SWB DETAIL



TYPICAL ENCLOSED CARPORT PLAN
SCALE = 1:100

GARAGE WALL STUD SCHEDULE				
DESIGN CAT.	CRS	STUD TYPE ST1	NOGGING ROWS AND POSITIONING	DOUBLE STUD (ST2) REQUIRED (XX)
N2/SNOW	600	75x32x1.2 UNLIPPED STUDS	1 WITHIN 100mm OF MID HEIGHT	OPENINGS > 1000
N3/SNOW	600	75x32x1.2 UNLIPPED STUDS	2 AT THIRD POINTS HEIGHT	OPENINGS > 1100
N4/SNOW	300	75x32x1.2 UNLIPPED STUDS	2 AT THIRD POINTS HEIGHT	OPENINGS > 600

FOR TABLE DEFINITIONS REFER TO STUD WALL DETAILS ON S05

- NOTE:
- 1) FRAME HEIGHT FOR GARAGE WALL IS 2600mm
 - 2) WALL FRAME DETAILS AS PER S05
 - 3) GARAGE ROOF TRUSS AS PER S10
 - 4) GARAGE STRUCTURE AS PER S13

Structural Design Certification By:



barnson
DESIGN . PLAN . MANAGE
ACN 088 342 645
1/36 Darling Street, Dubbo NSW 2830

Chris Bassingthwaighe
BE MIEAust CPEng



Date: 25/07/2023
Reference No: 19920-S14_2