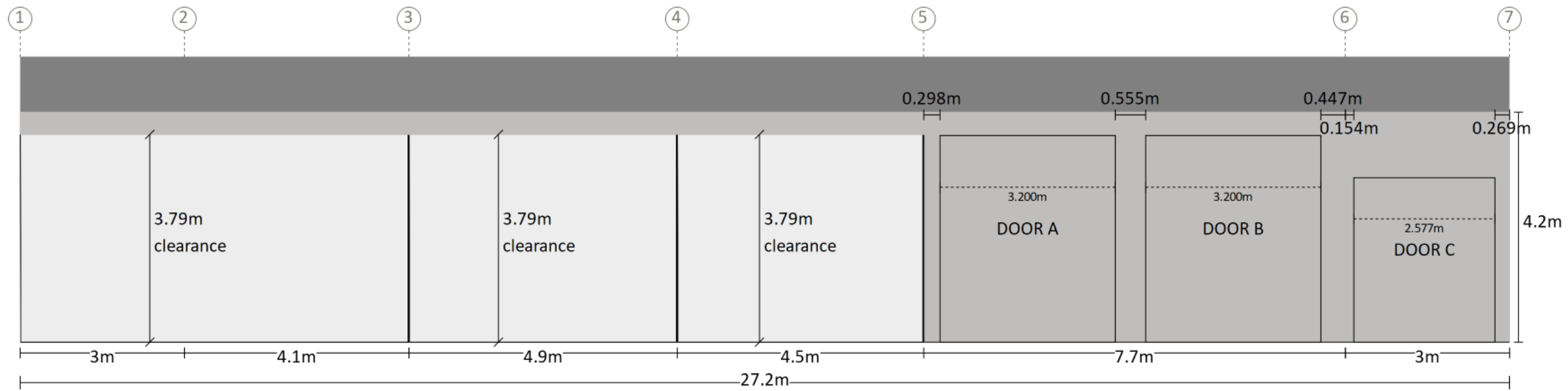


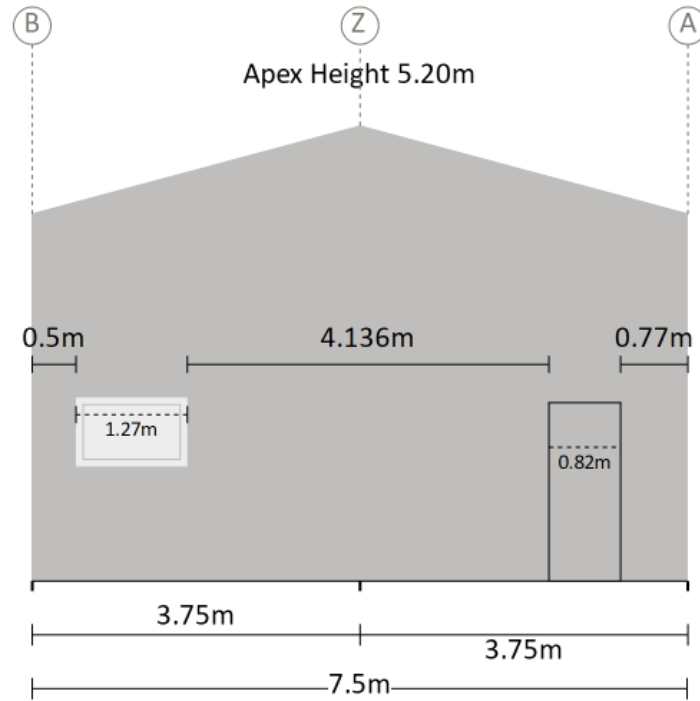
This setout is provided as a guide only. It is the responsibility of the concreter/erector to confirm that all dimensions are correct.

Right Side



Measurements are from the outside of end girts (end bays) and/or centre of columns (mid bays) to inside of component opening size.

Right End



Measurements are from the outside of side girts to the inside of component opening size.

Purchaser Name: Tinos Mutyiri

Site Address: 21 Shepherds Lane Gulgong NSW2852 Australia

Drawing # TMJD210005 - 10

Print Date: 18/01/21

Component Position

Not to Scale
Page 1 of 2
© Copyright SteelxIP Pty Ltd

Seller: THE Shed Company Mudgee
S & K Lincoln Pty Ltd
Phone: (02) 6372 7755
Fax: (02) 6372 7700
Email: mudgeeadmin@theshedcompany.com.au

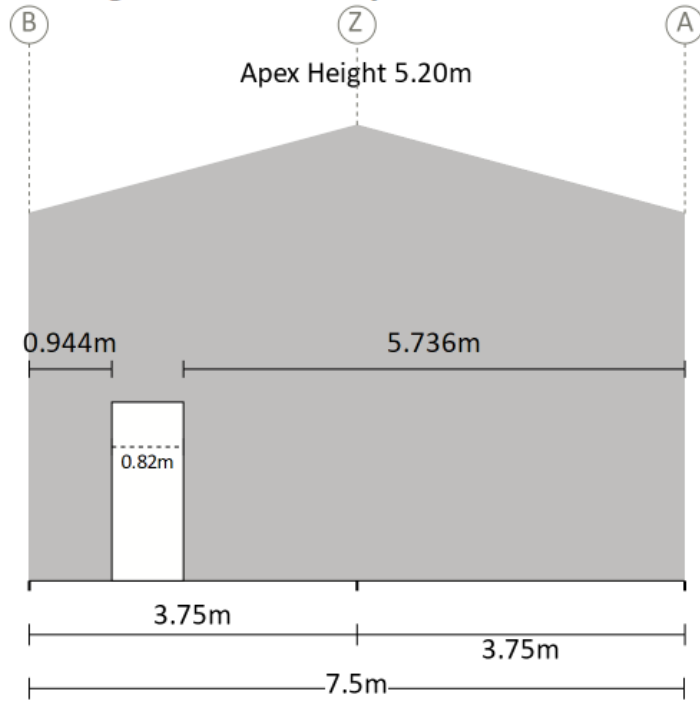
Apex Engineering Group PTY LTD
ACN 632 588 562
ME Aust. (Registered NER Structural) 5276680
QLD : RPEQ No. 24223; TAS : 185770492; VIC : EC67493; N.T. : 303557ES;
Practising Professional Structural & Civil Engineers

Signature:

J. Ronaldson

Date: 18/01/21

Bay Dividing Wall Between Bays 4 & 5



Measurements are from the outside of side girts to the inside of component opening size.

Purchaser Name: Tinos Mutyiri

Site Address: 21 Shepherds Lane Gulgong NSW2852 Australia

Drawing # TMJD210005 - 10

Print Date: 18/01/21

Component Position

Not to Scale
Page 2 of 2
© Copyright SteelxIP Pty Ltd

Seller: THE Shed Company Mudgee
S & K Lincoln Pty Ltd
Phone: (02) 6372 7755
Fax: (02) 6372 7700
Email: mudgeeadmin@theshedcompany.com.au

Apex Engineering Group PTY LTD
ACN 632 588 562
ME Aust. (Registered NER Structural) 5276680
QLD : RPEQ No. 24223; TAS : 185770492; VIC : EC67493; N.T : 303557ES;
Practising Professional Structural & Civil Engineers

Signature:

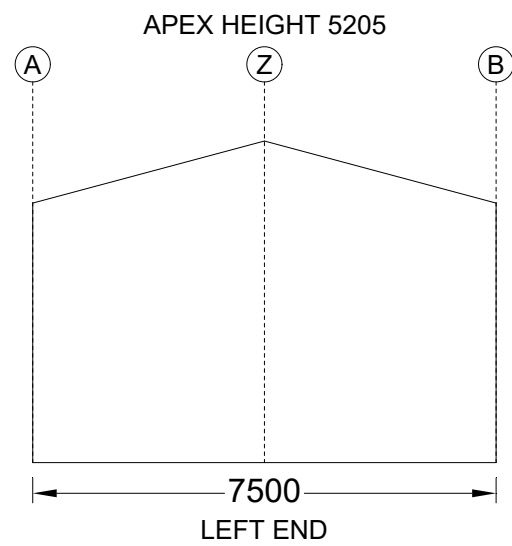
J. Ronaldson

Date: 18/01/21

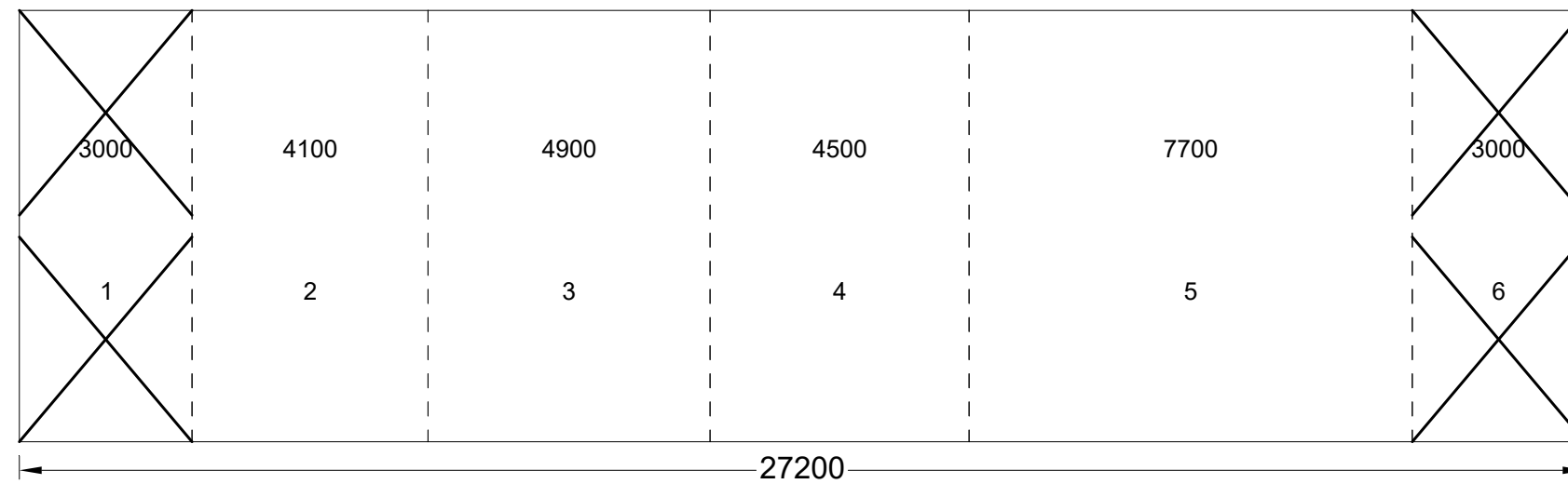
Cross Bracing is achieved with 1.2mm Strap. Refer to Connection Details.



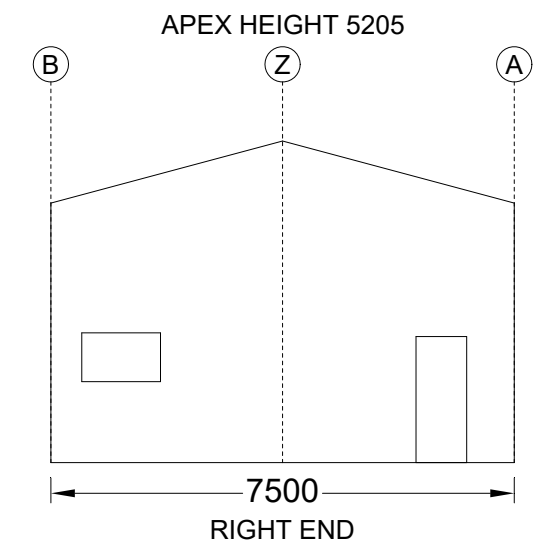
LEFT SIDE



LEFT END



RIGHT SIDE



RIGHT END



Revision	Date	Initial	Purchaser Name: Tinos Mutyiri	
			Site Address: 21 Shepherds Lane Gulgong NSW 2852 Australia	
			Drawing # TMUD210005 - 5	Print Date: 18/01/2021

Bracing

NOT TO SCALE

Page 1 of 1

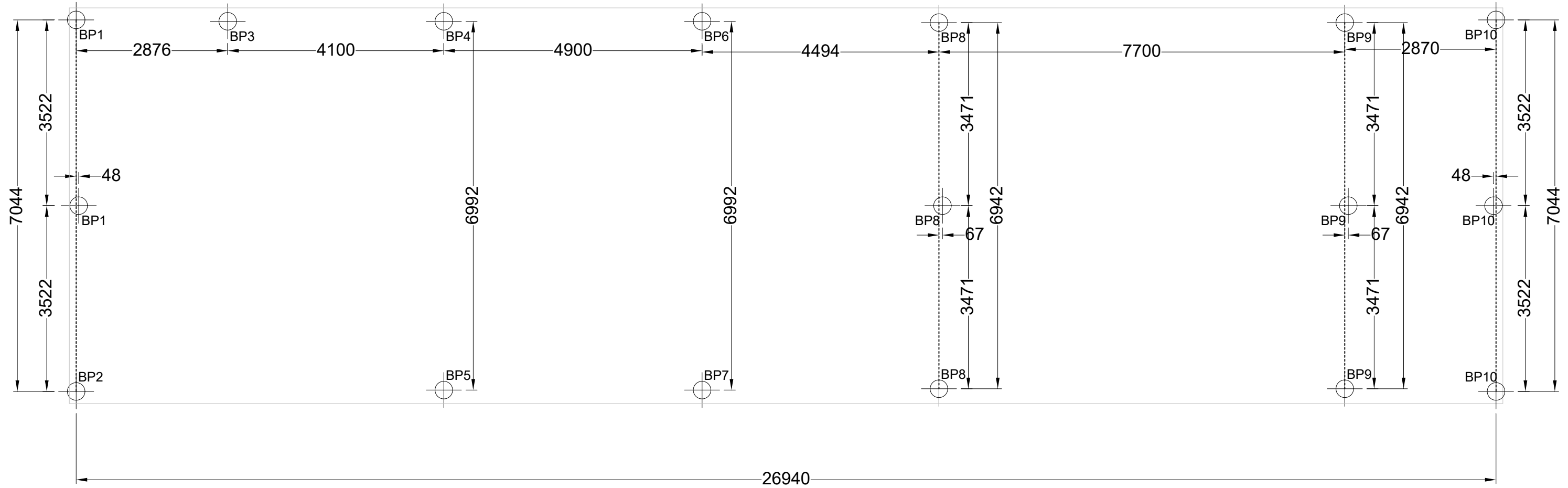
©Copyright Steelx IP Pty Ltd

Seller: THE Shed Company Mudgee
 Name: S & K Lincoln Pty Ltd
 Phone: (02) 6372 7755
 Fax: (02) 6372 7700
 Email: mudgeeadmin@theshedcompany.com.au

Apex Engineering Group PTY LTD
 ACN 632 588 562
 MIE Aust. (Registered NER Structural) 5276680
 QLD : RPEQ No. 24223; TAS : 185770492; VIC : EC67493; N.T : 303557ES;
 Practising Professional Structural & Civil Engineers

Signature: _____ J. Ronaldson
 Date: 18/01/21

These dimensions are provided as a guide only. It is the responsibility of the concreter to confirm that all dimensions are correct.
Refer to Material Specifications Plan for BP dimensions.



Revision	Date	Initial	Purchaser Name: Tinos Mutyiri		Concrete Piers PIER MEASUREMENT ONLY NOT TO SCALE Page 1 of 1 ©Copyright Steelx IP Pty Ltd	Seller: THE Shed Company Mudgee		Apex Engineering Group PTY LTD	
			Site Address: 21 Shepherds Lane Gulgong NSW 2852 Australia			Name: S & K Lincoln Pty Ltd		ACN 632 588 562	
			Drawing # TMUD210005 - 6			Phone: (02) 6372 7755		MIE Aust. (Registered NER Structural) 5276680	
			Print Date: 18/01/2021			Fax: (02) 6372 7700		QLD : RPEQ No. 24223; TAS : 185770492; VIC : EC67493; N.T : 303557ES;	
					Email: mudgeadmin@theshedcompany.com.au		Practising Professional Structural & Civil Engineers		
							Signature: J. Ronaldson		
							Date: 18/01/21		

Notes:
 Brackets are not shown. Refer to Specification Details
 for more information. Opening members not labeled.

ROOF (TOP VIEW)

LEFT SIDE

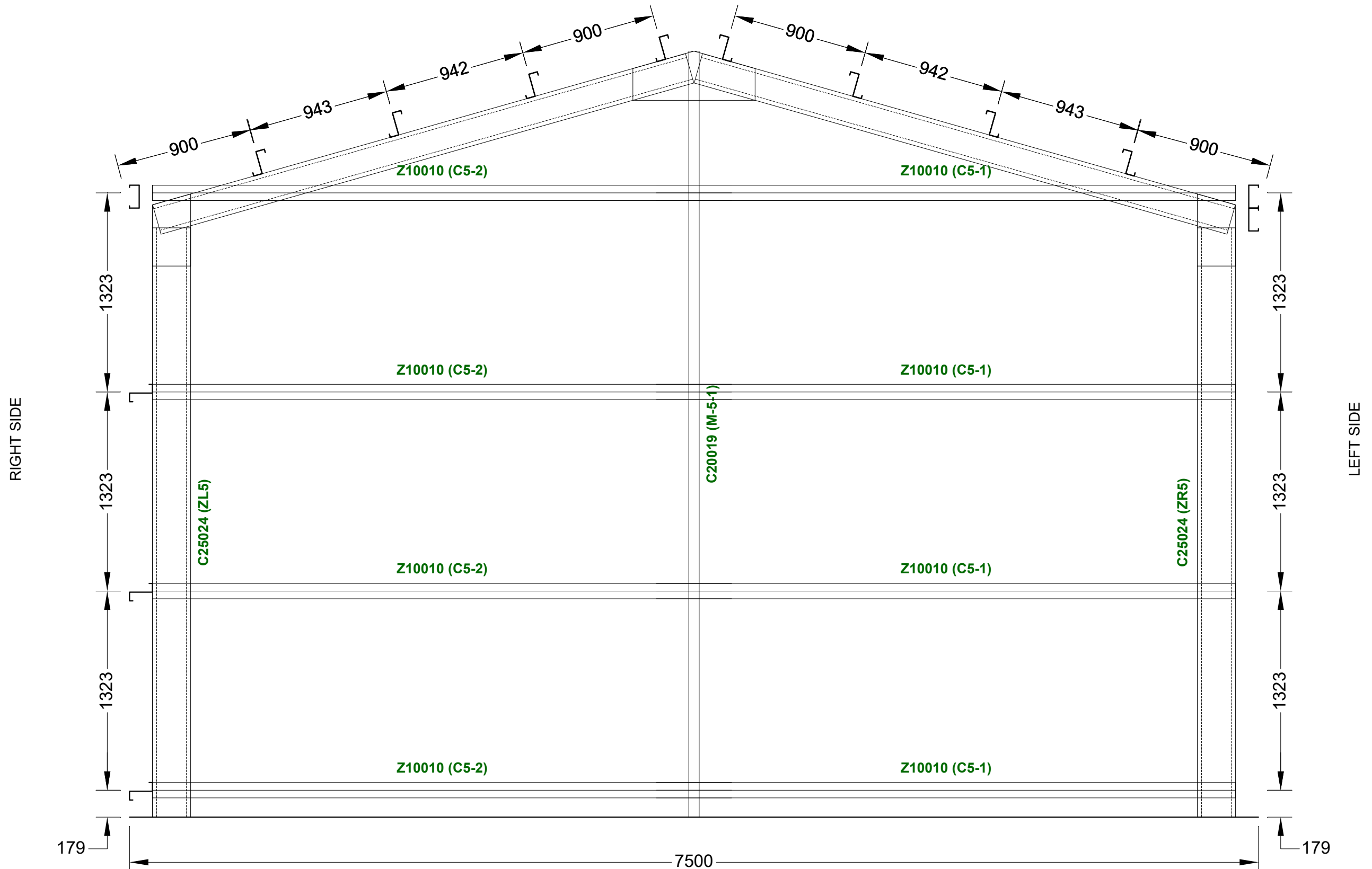
	XC15012 (PL1) Z15012 (AL1)		XC15012 (PL2) Z15012 (AL2)		XC15012 (PL3) Z15012 (AL3)		XC15012 (PL4) Z15012 (AL4)		XC15015 (PL5) Z15015 (AL5)		XC15012 (PL6) Z15012 (AL6)		
LEFT END	C15012 (Y1)	Z15012 (AL1)	C15019 (Y2)	Z15012 (AL2)	C15019 (Y3)	Z15012 (AL3)	C15019 (Y4)	Z15012 (AL4)	C20019 (Y5)	Z15012 (AL5)	C20015 (Y6)	Z15012 (AL6)	C15012 (Y7)
		Z15012 (AL1)		Z15012 (AL2)		Z15012 (AL3)		Z15012 (AL4)		Z15012 (AL5)		Z15012 (AL6)	
	Z15012 (AL1)		Z15012 (AL2)		Z15012 (AL3)		Z15012 (AL4)		Z15012 (AL5)		Z15012 (AL6)		
	Z15012 (AR1) Z15012 (AR1)		Z15012 (AR2) Z15012 (AR2)		Z15012 (AR3) Z15012 (AR3)		Z15012 (AR4) Z15012 (AR4)		Z15012 (AR5) Z15012 (AR5)		Z15012 (AR6) Z15012 (AR6)		
LEFT END	C15012 (Y1)	Z15012 (AR1)	C15019 (Y2)	Z15012 (AR2)	C15019 (Y3)	Z15012 (AR3)	C15019 (Y4)	Z15012 (AR4)	C20019 (Y5)	Z15012 (AR5)	C20015 (Y6)	Z15012 (AR6)	C15012 (Y7)
		Z15012 (AR1)		Z15012 (AR2)		Z15012 (AR3)		Z15012 (AR4)		Z15012 (AR5)		Z15012 (AR6)	
	Z15012 (AR1)		Z15012 (AR2)		Z15012 (AR3)		Z15012 (AR4)		Z15012 (AR5)		Z15012 (AR6)		
	2C20015 (PR1)		2C20015 (PR2)		2XC15012 (PR3)		2XC15012 (PR4)		XC15012 (PR5)		XC15012 (PR6)		

RIGHT SIDE

Revision	Date	Initial	Purchaser Name: Tinos Mutyiri		Purlin and Girt Plan NOT TO SCALE Page 1 of 4 ©Copyright Steelx IP Pty Ltd	Seller: THE Shed Company Mudgee Name: S & K Lincoln Pty Ltd Phone: (02) 6372 7755 Fax: (02) 6372 7700 Email: mudgeeadmin@theshedcompany.com.au	Apex Engineering Group PTY LTD ACN 632 588 562 MIE Aust. (Registered NER Structural) 5276680 QLD : RPEQ No. 24223; TAS : 185770492; VIC : EC67493; N.T : 303557ES; Practising Professional Structural & Civil Engineers
			Site Address: 21 Shepherds Lane Gulgong NSW 2852 Australia				
			Drawing # TMUD210005 - 11	Print Date: 18/01/2021			
						Signature: J. Ronaldson	Date: 18/01/21

BAY 5 LEFT END DIVIDING WALL ELEVATION

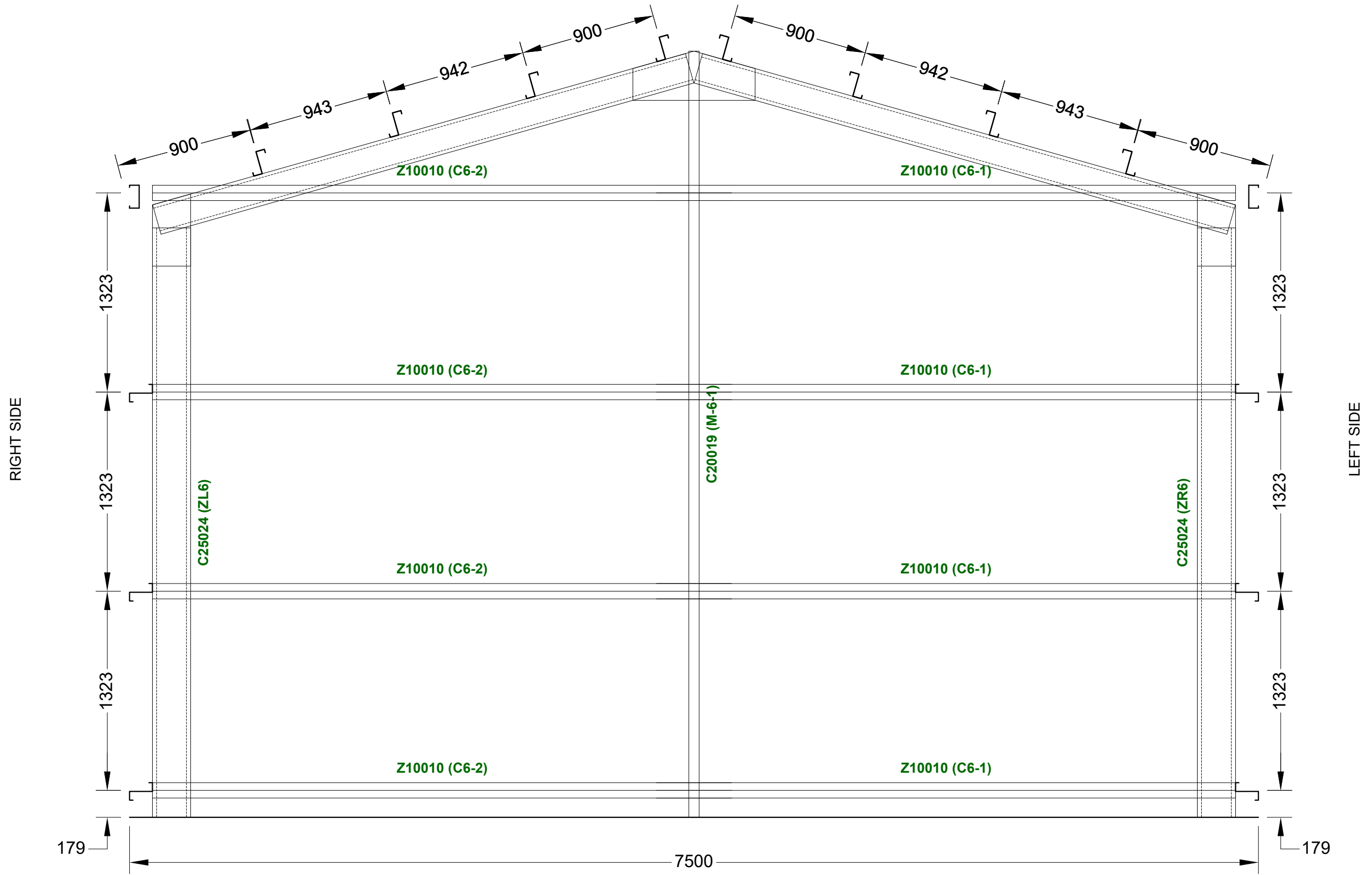
Notes:
Brackets are not shown. Refer to Specification Details for more information. Opening members not labeled.



Revision	Date	Initial	Purchaser Name: Tinos Mutyiri		Purlin and Girt Plan NOT TO SCALE Page 2 of 4 ©Copyright Steelx IP Pty Ltd	Seller: THE Shed Company Mudgee Name: S & K Lincoln Pty Ltd Phone: (02) 6372 7755 Fax: (02) 6372 7700 Email: mudgeeadmin@theshedcompany.com.au	Apex Engineering Group PTY LTD ACN 632 588 562 MIE Aust. (Registered NER Structural) 5276680 QLD : RPEQ No. 24223; TAS : 185770492; VIC : EC67493; N.T : 303557ES; Practising Professional Structural & Civil Engineers
			Site Address: 21 Shepherds Lane Gulgong NSW 2852 Australia				
			Drawing # TMUD210005 - 11	Print Date: 18/01/2021			
						Signature: _____	J. Ronaldson Date: 18/01/21

BAY 6 LEFT END DIVIDING WALL ELEVATION

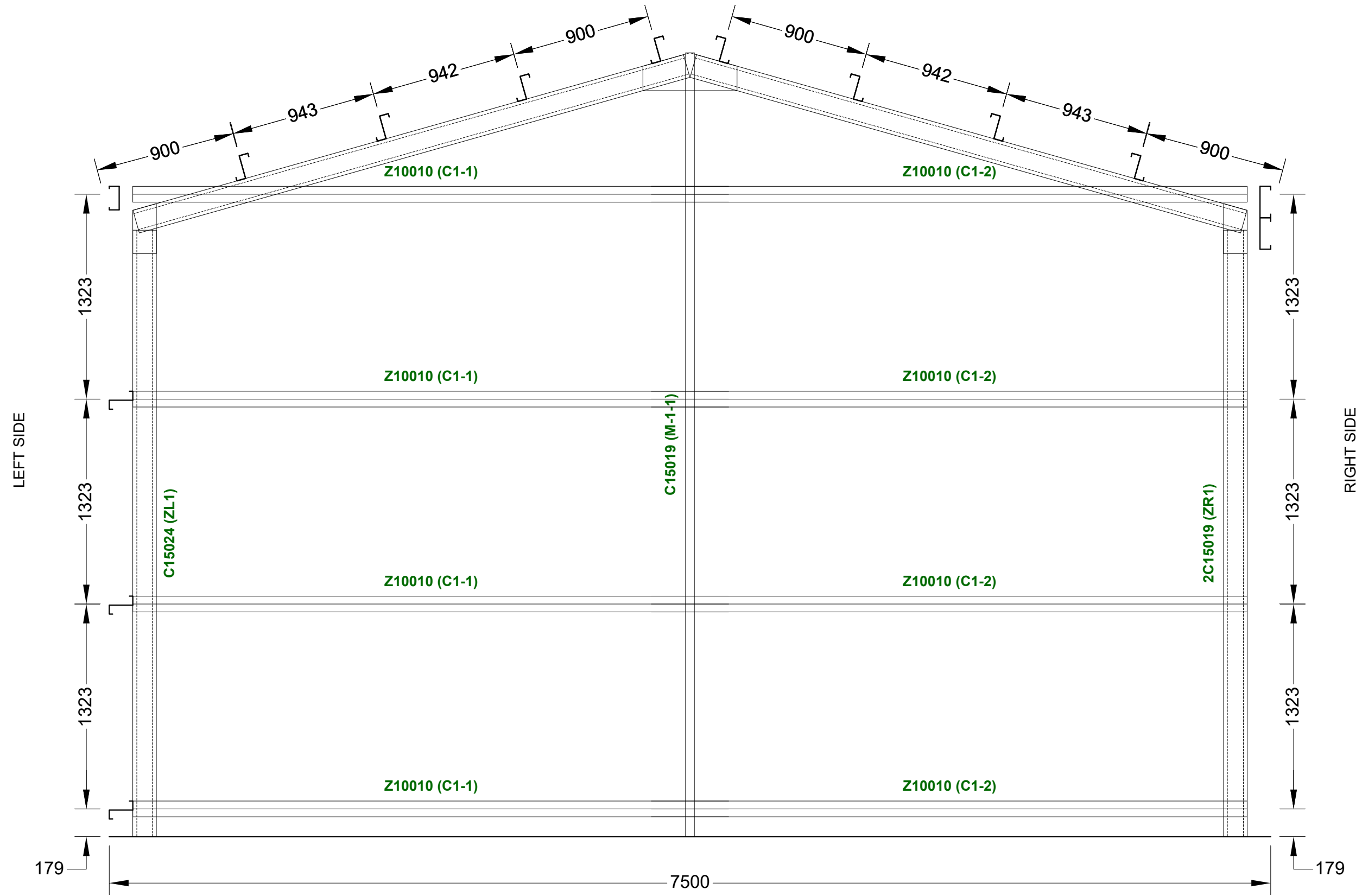
Notes:
Brackets are not shown. Refer to Specification Details for more information. Opening members not labeled.



Revision	Date	Initial	Purchaser Name: Tinos Mutyiri		Purlin and Girt Plan NOT TO SCALE Page 3 of 4 ©Copyright Steelx IP Pty Ltd	Seller: THE Shed Company Mudgee		Apex Engineering Group PTY LTD			
			Site Address: 21 Shepherds Lane Gulgong NSW 2852 Australia			Name: S & K Lincoln Pty Ltd		ACN 632 588 562			
			Drawing # TMUD210005 - 11			Phone: (02) 6372 7755		MIE Aust. (Registered NER Structural) 5276680			
			Print Date: 18/01/2021			Fax: (02) 6372 7700		QLD : RPEQ No. 24223; TAS : 185770492; VIC : EC67493; N.T. : 303557ES;			
					Email: mudgeeadmin@theshedcompany.com.au		Practisin		i Engineers		
							Signatur		J. Ronaldson		
										Date: 18/01/21	

LEFT END ELEVATION

Notes:
Brackets are not shown. Refer to Specification Details for more information. Opening members not labeled.



Revision	Date	Initial

Purchaser Name: Tinos Mutyiri	
Site Address: 21 Shepherds Lane Gulgong NSW 2852 Australia	
Drawing # TMUD210005 - 11	Print Date: 18/01/2021

Purlin and Girt Plan

NOT TO SCALE

Page 4 of 4

©Copyright Steelx IP Pty Ltd

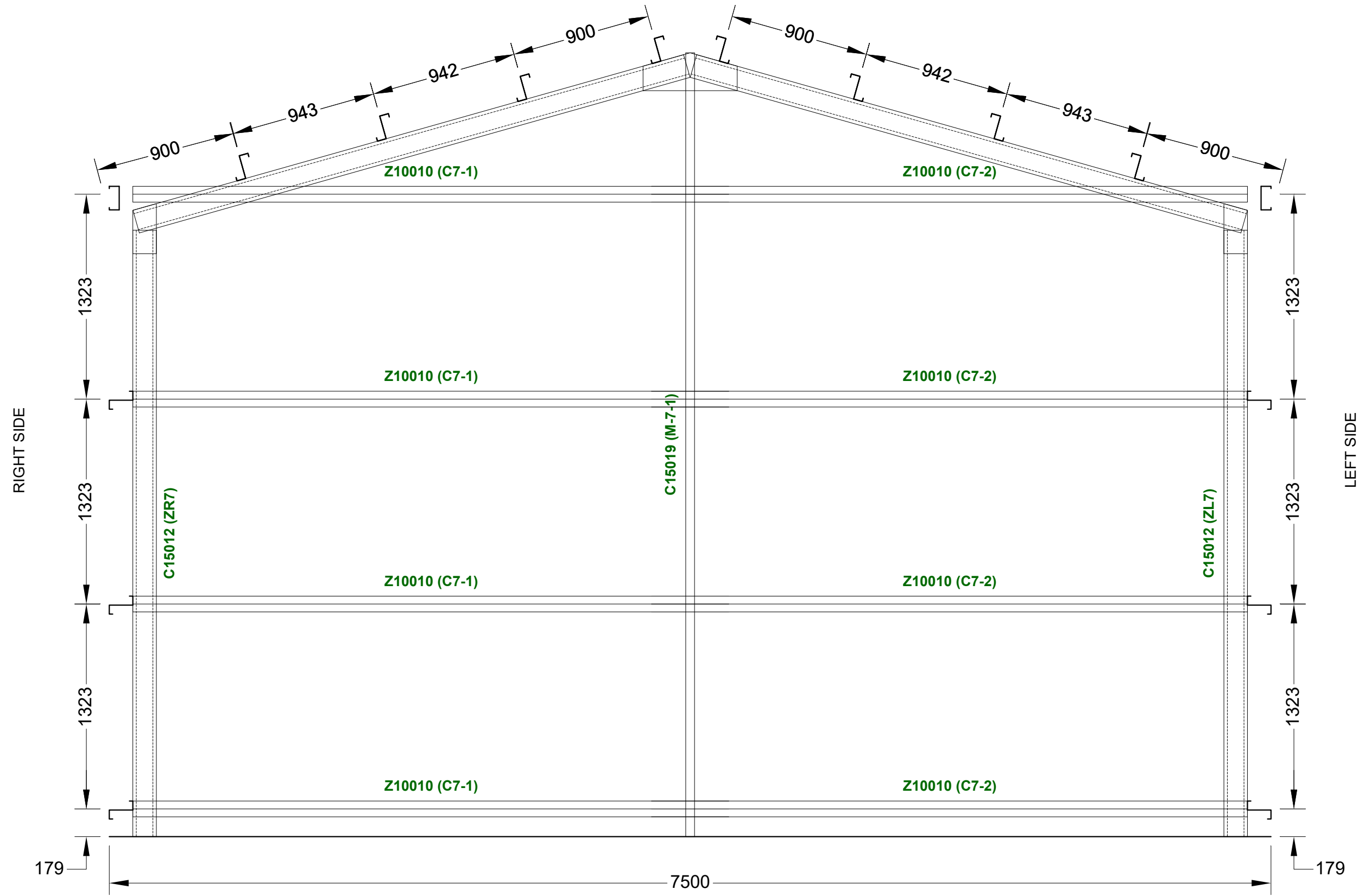
Seller: THE Shed Company Mudgee
 Name: S & K Lincoln Pty Ltd
 Phone: (02) 6372 7755
 Fax: (02) 6372 7700
 Email: mudgeeadmin@theshedcompany.com.au

Apex Engineering Group PTY LTD
 ACN 632 588 562
 MIE Aust. (Registered NER Structural) 5276680
 QLD : RPEQ No. 24223; TAS : 185770492; VIC : EC67493; N.T : 303557ES;
 Practising Professional Structural & Civil Engineers

Signature: J. Ronaldson
 Date: 18/01/21

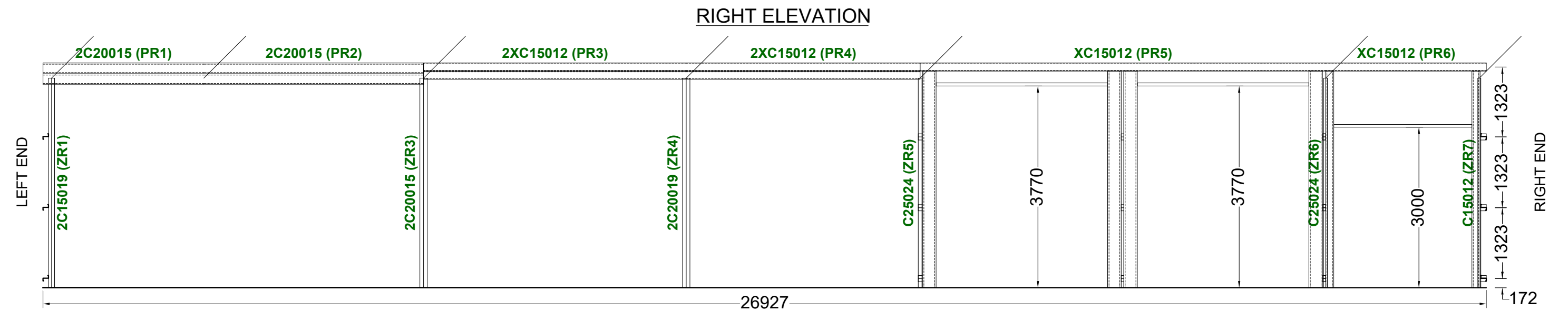
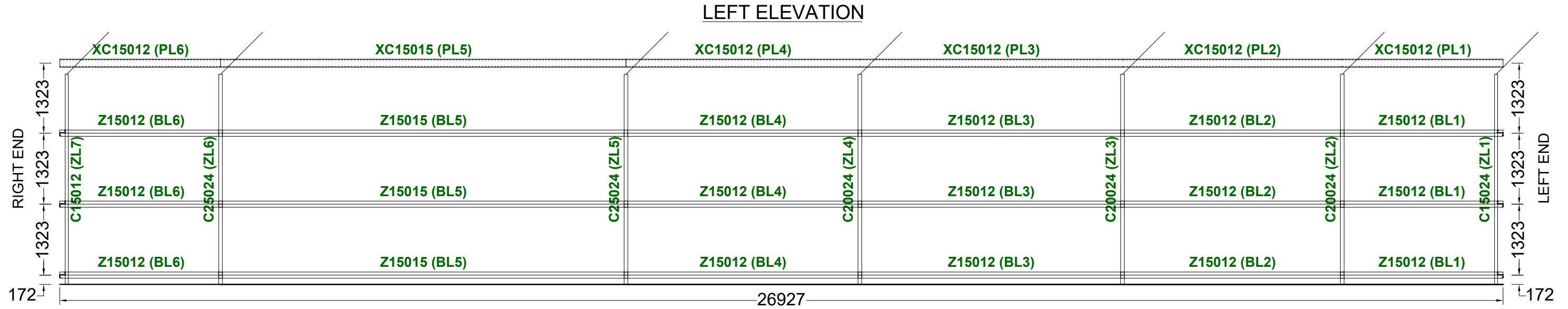
RIGHT END ELEVATION

Notes:
Brackets are not shown. Refer to Specification Details for more information. Opening members not labeled.



Revision	Date	Initial	Purchaser Name: Tinos Mutyiri		Purlin and Girt Plan NOT TO SCALE Page 5 of 4 ©Copyright Steelx IP Pty Ltd	Seller: THE Shed Company Mudgee	Apex Engineering Group PTY LTD
			Site Address: 21 Shepherds Lane Gulgong NSW 2852 Australia			Name: S & K Lincoln Pty Ltd	ACN 632 588 562
			Drawing # TMUD210005 - 11			Phone: (02) 6372 7755	MIE Aust. (Registered NER Structural) 5276680
			Print Date: 18/01/2021			Fax: (02) 6372 7700	QLD : RPEQ No. 24223; TAS : 185770492; VIC : EC67493; N.T. : 303557ES;
						Email: mudgeeadmin@theshedcompany.com.au	Practising Professional Structural & Civil Engineers
							Signature: _____ . Ronaldson
							ate: 18/01/21

Notes:
 Brackets are not shown. Refer to Specification Details for more information. Opening members not labeled.



Revision	Date	Initial	Purchaser Name: Tinos Mutyiri		Purlin and Girt Plan NOT TO SCALE Page 6 of 4 ©Copyright Steelx IP Pty Ltd	Seller: THE Shed Company Mudgee Name: S & K Lincoln Pty Ltd Phone: (02) 6372 7755 Fax: (02) 6372 7700 Email: mudgeeadmin@theshedcompany.com.au	Apex Engineering Group PTY LTD ACN 632 588 562 MIE Aust. (Registered NER Structural) 5276680 QLD : RPEQ No. 24223; TAS : 185770492; VIC : EC67493; N.T : 303557ES; Practising Professional Structural & Civil Engineers Signature: J. Ronaldson Date: 18/01/21
			Site Address: 21 Shepherds Lane Gulgong NSW 2852 Australia				
			Drawing # TMUD210005 - 11	Print Date: 18/01/2021			